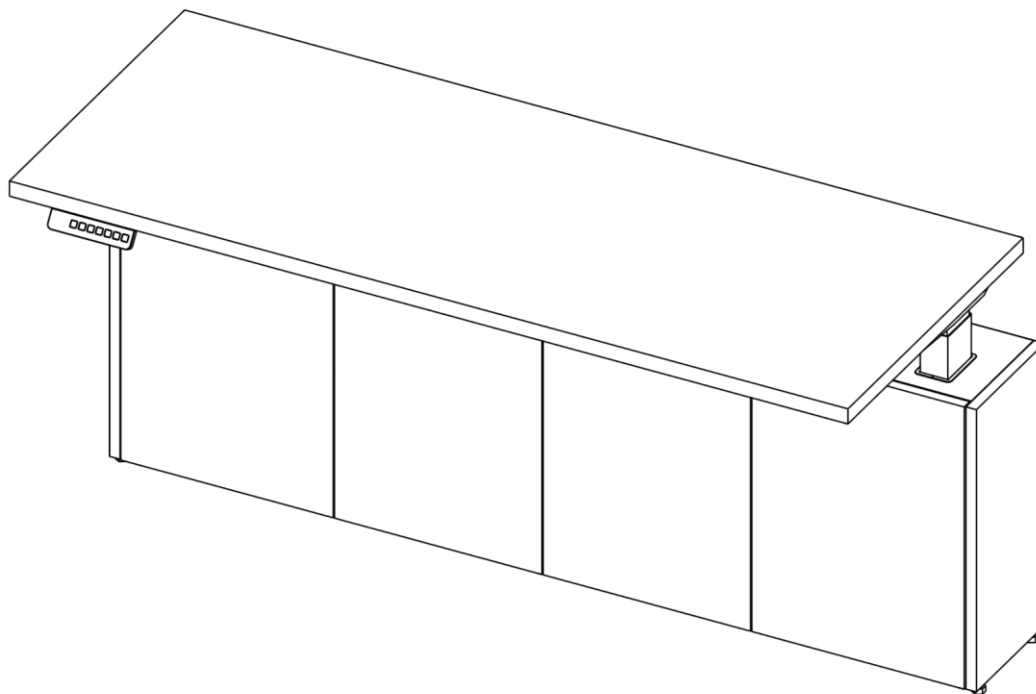

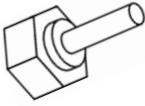
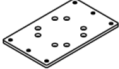

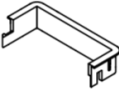
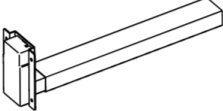

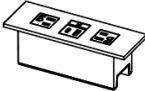

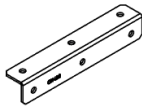


Wall Mounted Cantilevered HAT Installation Instructions

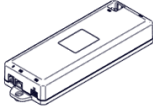

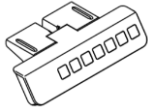

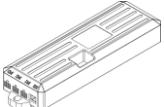

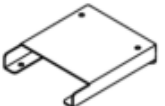
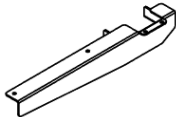
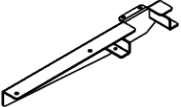

Date	Page No.	Description of change	Name
04/21/2025	1-22	Released	S. Powers
05/27/2025	10	Added mounting hardware notes	S. Powers
12/10/2025	8, 9, 12	Added new wall bracket for wall mounting.	S. Powers



Wall Mounted Cantilevered HAT Installation Instructions

Item	Replacement Part number	Circle Sheet Part Number	Description	Image
P1	RH-1420TI-C	RH-1420TI-C	1/4-20 Glide Insert	
P2	RH-CGLIDE	RH-CGLIDE	1/4-20 Glide	
P3	RWFS-BBP	RWFS-BBP	Base Plate	
P4	RH-WSFP1034	RH-WSFP1034	#10 x 3/4" Flat Head Screw	
P5	RL-PLG2	RL-PLG2	Trim Ring	
P6	RWFS-2L2SE-ECx (x = S, W or B)	RWFS-2L2SE-ECx (x = S, W or B)	Height Adjustable Column 50mm x 80mm	
P7	RH-94500A315	RH-94500A315	M6 x 14mm Pan Head Screw	
P8	E-DOMINO	RE-DOMINO-xx (xx = BK, MS or W)	Power Unit	
P9	RH-90033A153	RH-90033A153	#6 x 5/8" Flat Head Screw	
P10	O-LB2	OX-LB2	L-bracket	

Wall Mounted Cantilevered HAT Installation Instructions

Item	Replacement Part number	Circle Sheet Part Number	Description	Image
P11	RT-2LCB-M	RT-2LCB-M	2-Input Control Box	
P12	RT-2LCK-90	RT-2LCK-90	1.3M 90° Cable	
P13	RL-PHS	RL-PHS	Hand Switch	
P14	RL-JCPWRCRD	RL-JCPWRCRD	Power Cord	
P15	RL-3LCB	RL-3LCB	3-Input Control Box	
P16	RL-2LCK	RL-2LCK	1.3M Straight Cable	
P17	T-PBMLSLLCS	DD-PBMLSLLCS	HAT Column Support Bracket	
P18	WFS-CT24R-ESF	RWFS-CT24R-ESF	24" Cantilever Right	
	WFS-CT30R-ESF	RWFS-CT30R-ESF	30" Cantilever Right	
P19	WFS-CT24L-ESF	RWFS-CT24L-ESF	24" Cantilever Left	
	WFS-CT30L-ESF	RWFS-CT30L-ESF	30" Cantilever Left	
P20	RH-91420A425	RH-91420A425	M6 x 14mm Flat Head Screw	

Wall Mounted Cantilevered HAT Installation Instructions

Item	Replacement Part number	Circle Sheet Part Number	Description	Image
P21	RT-5FE106L-xx (xx = BK, WT or MS)	RT-5FE106L-xx (xx = BK, WT or MS)	Frame End A	
P22	RT-5FE106R-xx (xx = BK, WT or MS)	RT-5FE106R-xx (xx = BK, WT or MS)	Frame End B	
P23	RWFS-575MMSBB	RWFS-575MMSBB	Return Cantilever	
P24	RP-PSS1-A	RP-PSS1-A	#10 X 1" Pan Head Screw	
P25	RH-SMZFP142B	RH-SMZFP142B	#14 x 2" Flat Head Screw	
P26	WPS-HSxx	RWPS-HSxx	U-Channel	
P27	RH-QS0978	RH-QS0978	#9 x 7/8" Flat Head Screw	
P28	RS-HSFDU812	RS-HSFDU812	#8 X 1/2" Pan Head Screw	
P29	RWPS-FP	RWPS-FP	Flat Plate	
P30	RWPS-FPCVR	RWPS-FPCVR	Flat Plate Cover	
P31	RP-WMBCHAT	RP-WMBCHAT	Wall Bracket	

Wall Mounted Cantilevered HAT Installation Instructions

*****READ ALL INSTRUCTIONS BEFORE STARTING INSTALLATION *****

IMPORTANT ASSEMBLY NOTES:

- Review the design spec layout prior to set up and staging of components.

• CAUTION!

- Verify the structural integrity of the wall is sufficient to support the wall mounted product.
- All mounting hardware (not included) should be securely fastened to the load bearing wall.
- MINIMUM REQUIRED WALL CONSTRUCTIONS:
 - Drywall with Metal Studs
 - Must be at least 25 ga. (0.015" min thk) 33 ksi steel studs 1.5" x 3.5"
 - Studs on maximum 24" centers.
 - Must be at least 5/8" thick Type X gypsum drywall (per ASTM C36, ASTM C1396 and CAN/USA-A82.27M)
 - 16 ga (0.063") metal banding, 6" wide min, as defined per installation drawing package.
 - Drywall with Wood Studs
 - Stud grade SPF, DF-L or Hem-Fir 1.5" x 3.5"
 - Studs on maximum 24" centers.
 - Must be at least 5/8" thick Type X gypsum drywall (per ASTM C36, ASTM C1396 and CAN/USA-A82.27M)
 - Wood blocking, 6" wide min, as defined per installation drawing package.

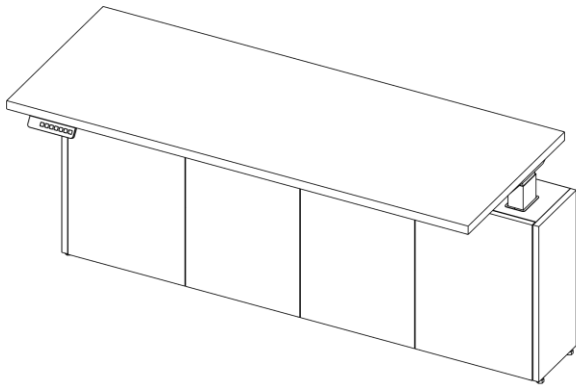
• WARNING: CRUSH HAZARD!

- Failure to properly secure cabinet could result in personal injury.
 - Read all instructions for your product mounting recommendations.
 - Verify all walls meet the minimum construction requirements before beginning your installation.
 - Install ALL fasteners required.
-
- Mounting hardware (toggle bolt anchors, toggle bolts, screws, etc.) to be verified by the Building's Engineer of Record, even if provided by AIS. Install mounting hardware per the hardware manufacturers instructions.

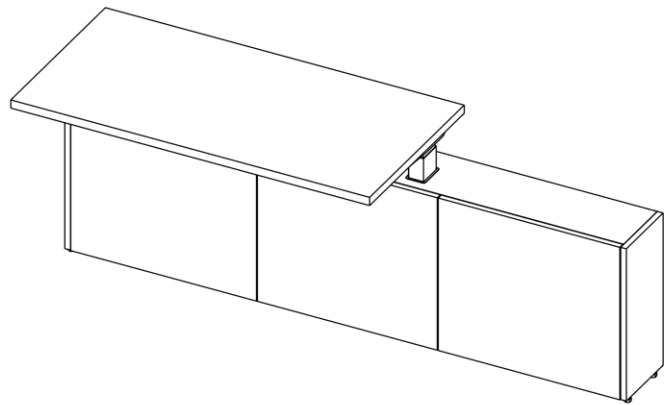
Wall Mounted Cantilevered HAT Installation Instructions

Installation note:

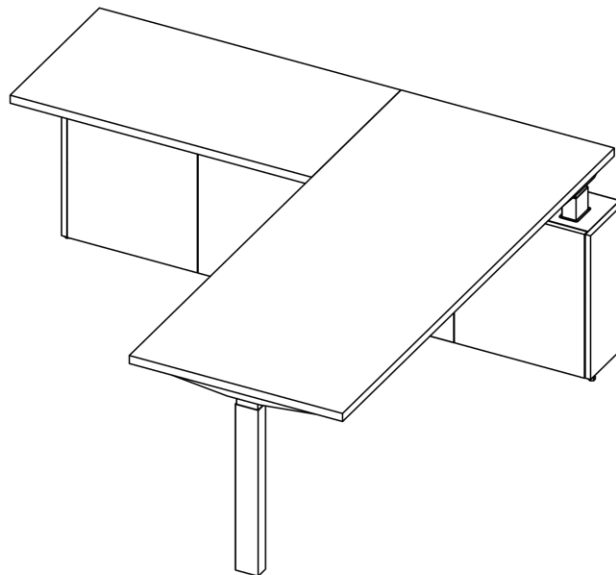
There are 3 types of Cantilevered HAT Desk assemblies. All units assemble in the same manner.



Cantilevered 2 Leg HAT Desk



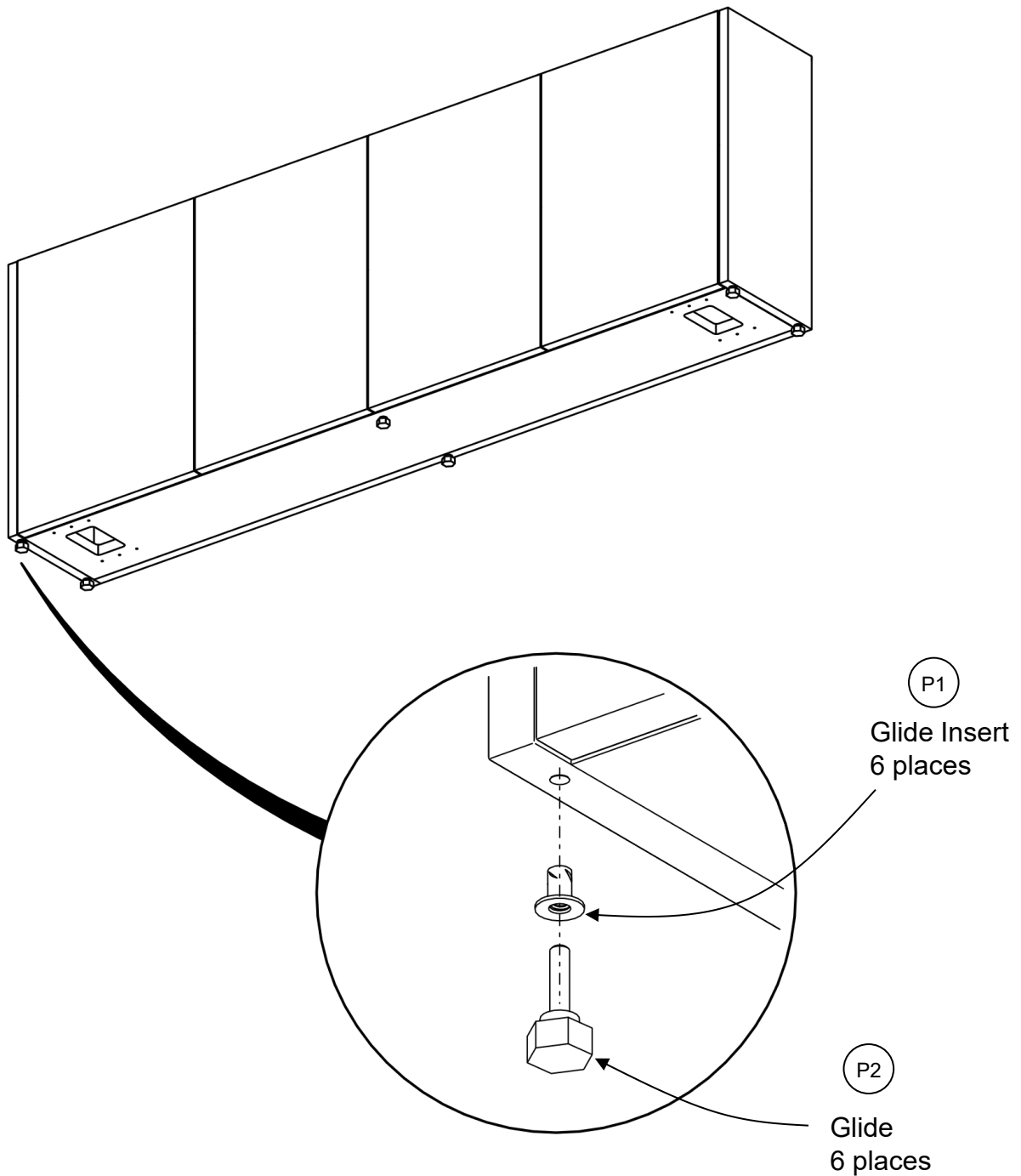
Cantilevered 2 Leg HAT Desk for Run-offs



Cantilevered 3 Leg HAT Desk


Wall Mounted Cantilevered HAT Installation Instructions

Step 1: Install glide inserts and glides into the base unit.



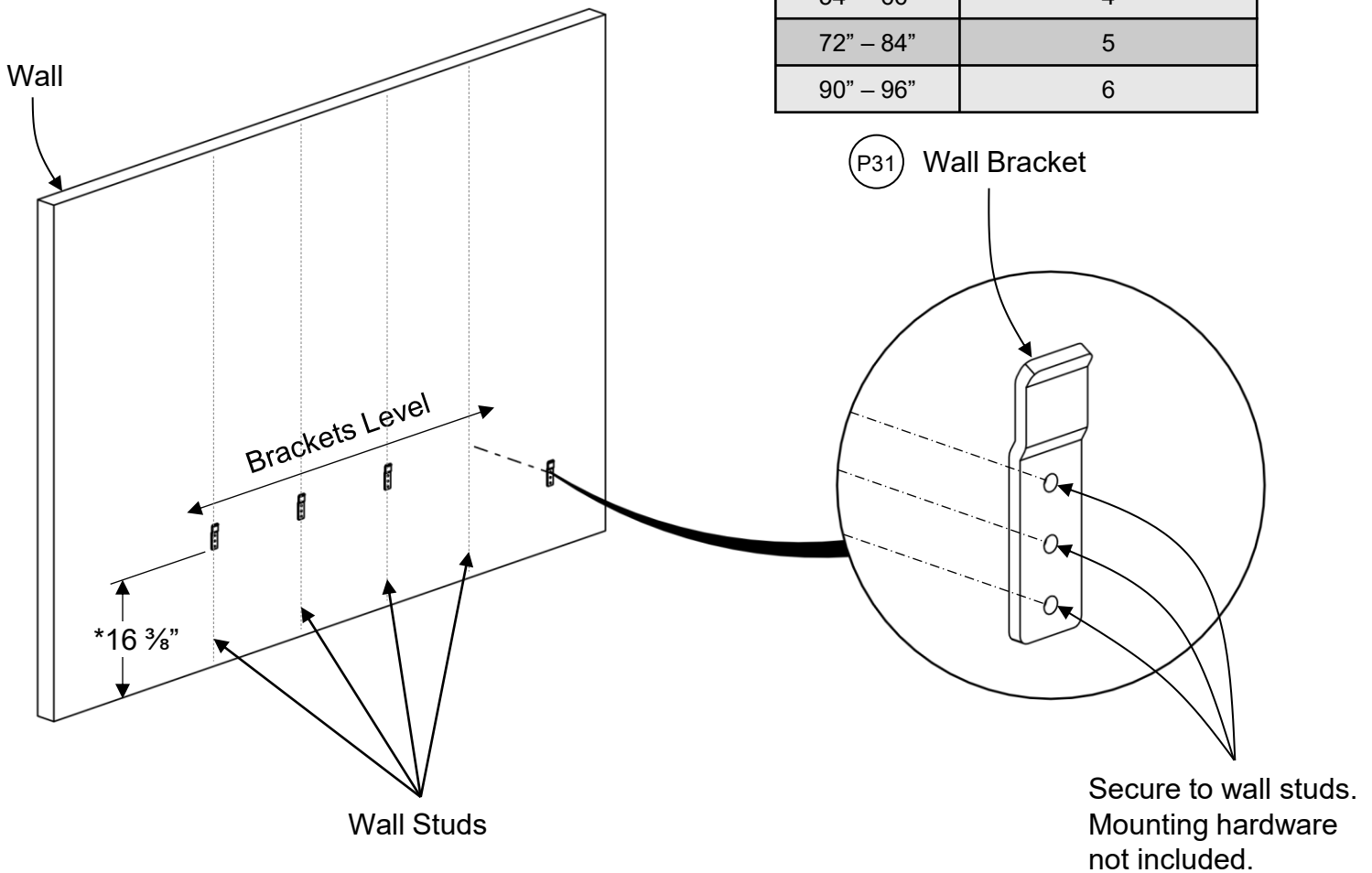
Wall Mounted Cantilevered HAT Installation Instructions

Step 2: Locate studs, mark height as shown and install wall brackets, making sure all brackets are level. Mounting hardware not included.



Customer must ensure structural integrity of the wall is sufficient to support the wall mounted product. All wall mounting hardware (not included) should be securely fastened to the load bearing wall.

Base Width	Qty of Wall Brackets
42" – 48"	3
54" – 66"	4
72" – 84"	5
90" – 96"	6



* If the floor is uneven from left to right, measure **16 3/8"** from the **highest point of the floor** to determine the mounting height.

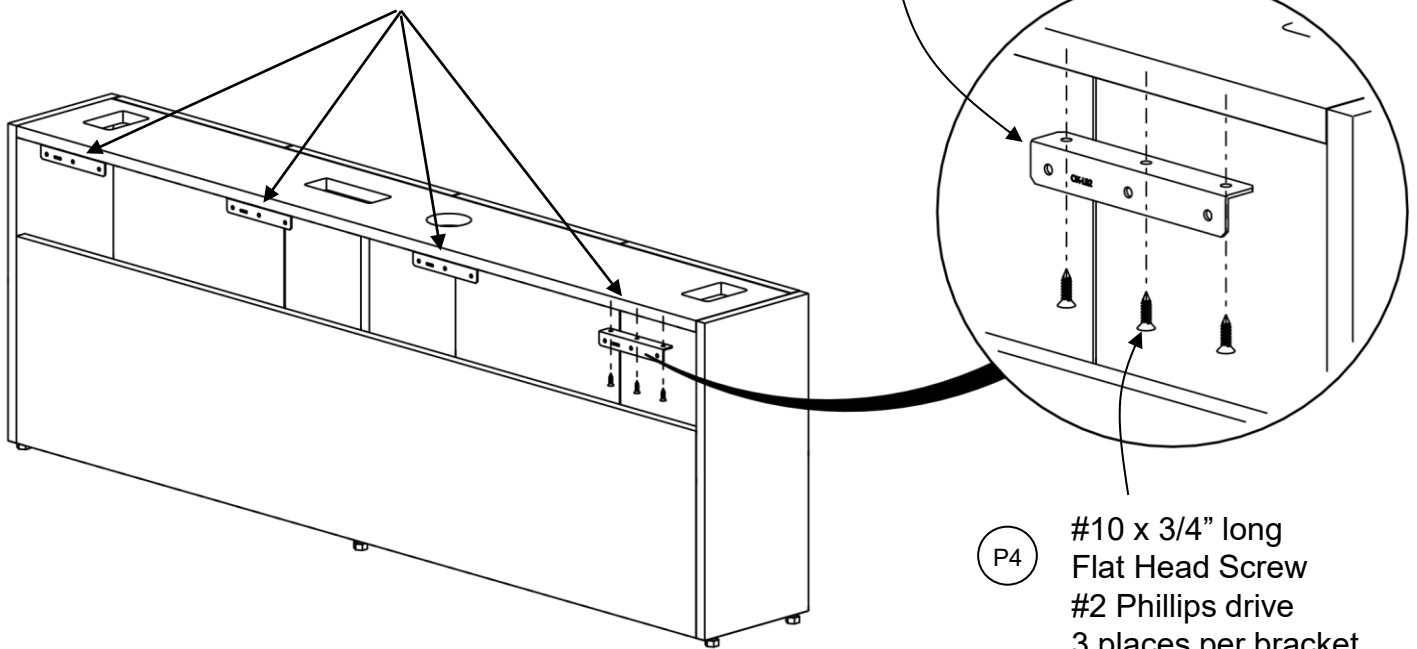
Wall Mounted Cantilevered HAT Installation Instructions

Step 3: Install L-brackets to the back of the base cabinet. Location determined by wall brackets.

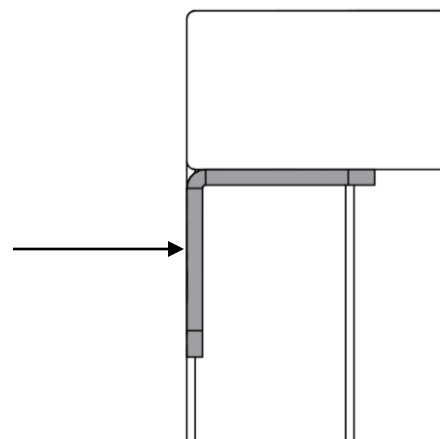
Base Width	Qty of L-Brackets
42" – 48"	3
54" – 66"	4
72" – 84"	5
90" – 96"	6

P10 L-Bracket
Flush to back of cabinet

Center L-Brackets at each wall stud / wall bracket location

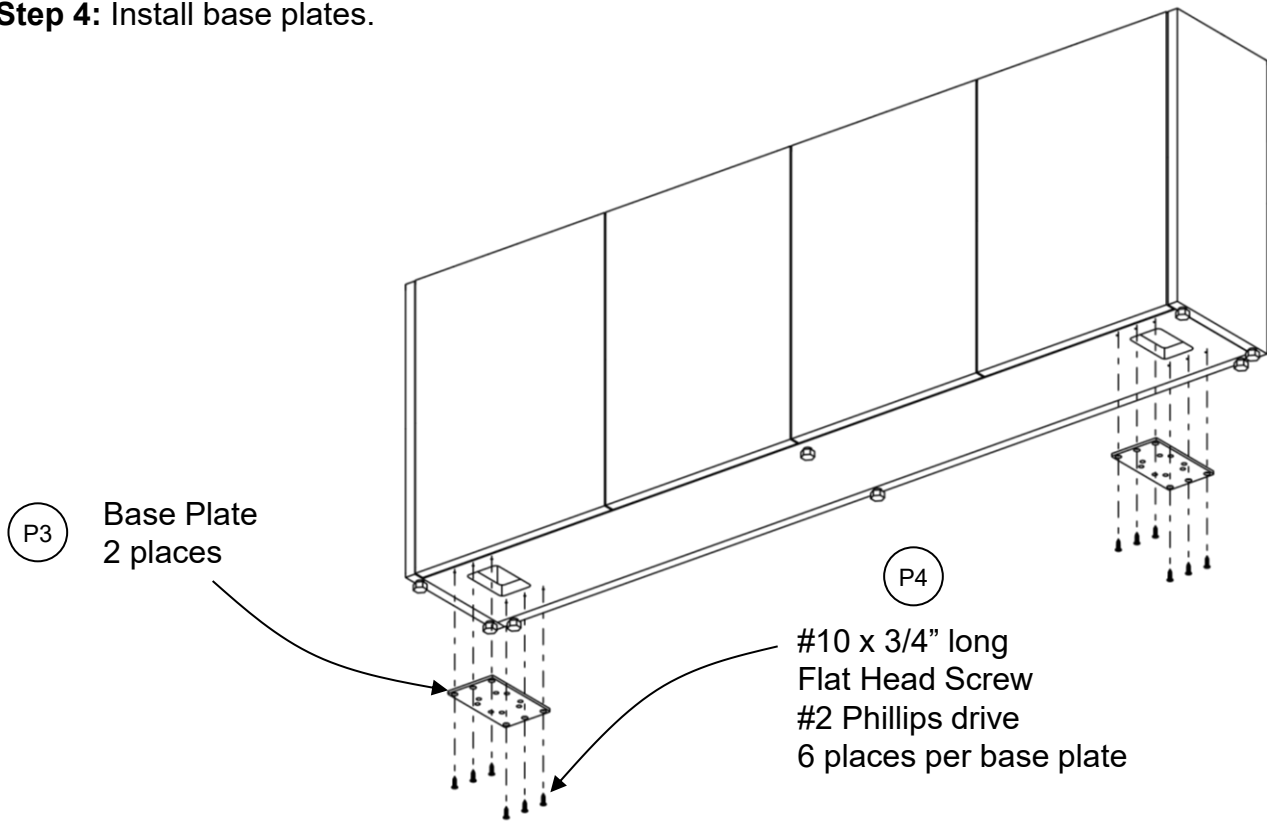


Ensure the L-bracket is flush with or slightly recessed into the cabinet to prevent wall damage.

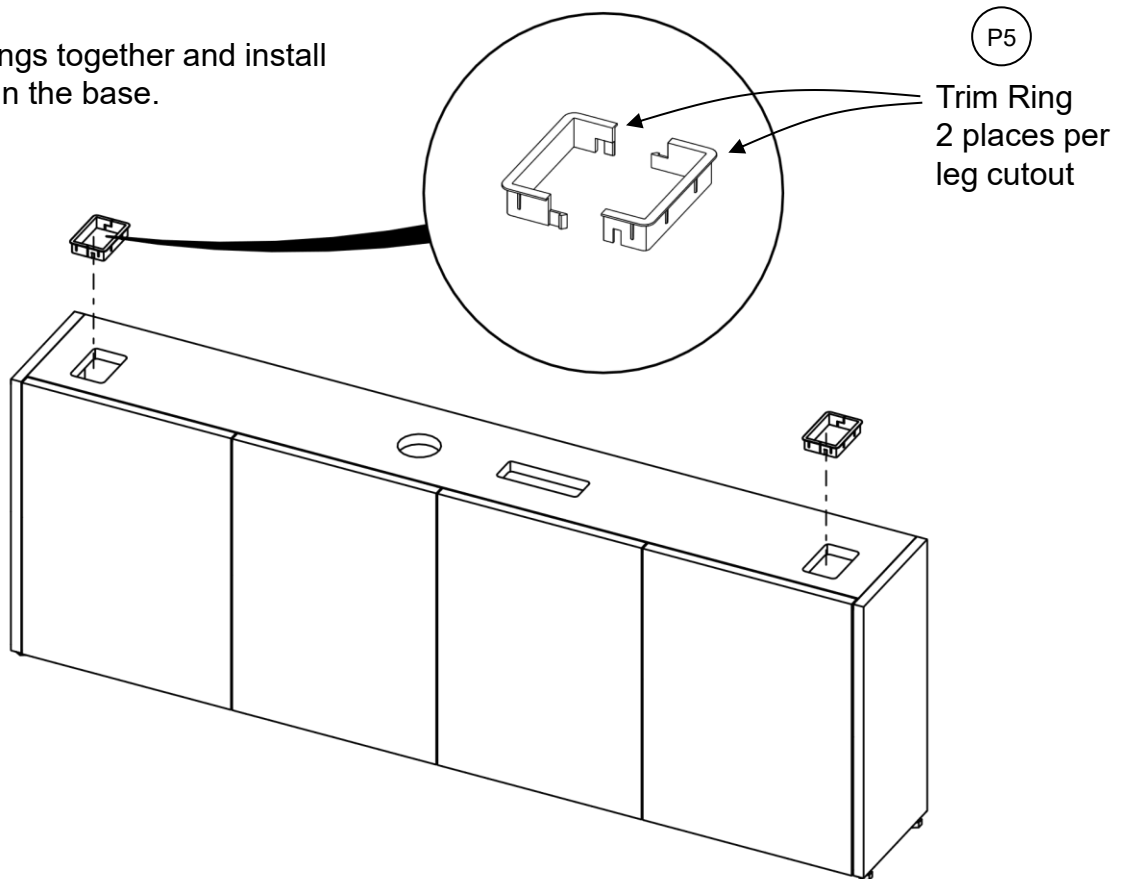


Wall Mounted Cantilevered HAT Installation Instructions

Step 4: Install base plates.

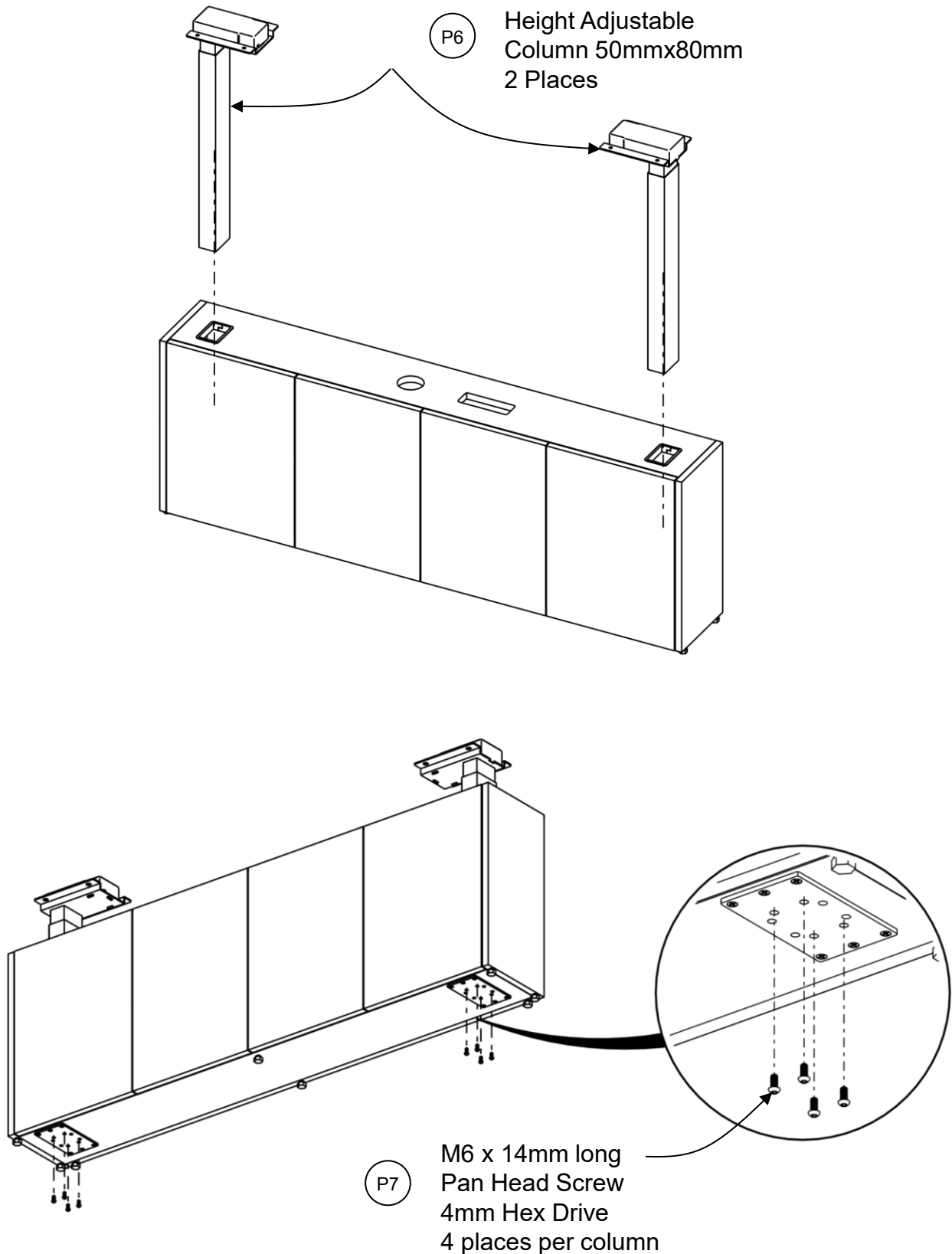


Step 5: Snap trim rings together and install into the leg cutouts in the base.



Wall Mounted Cantilevered HAT Installation Instructions

Step 6: Install the height adjustable columns into the base and secure using M6 x 14mm screws.

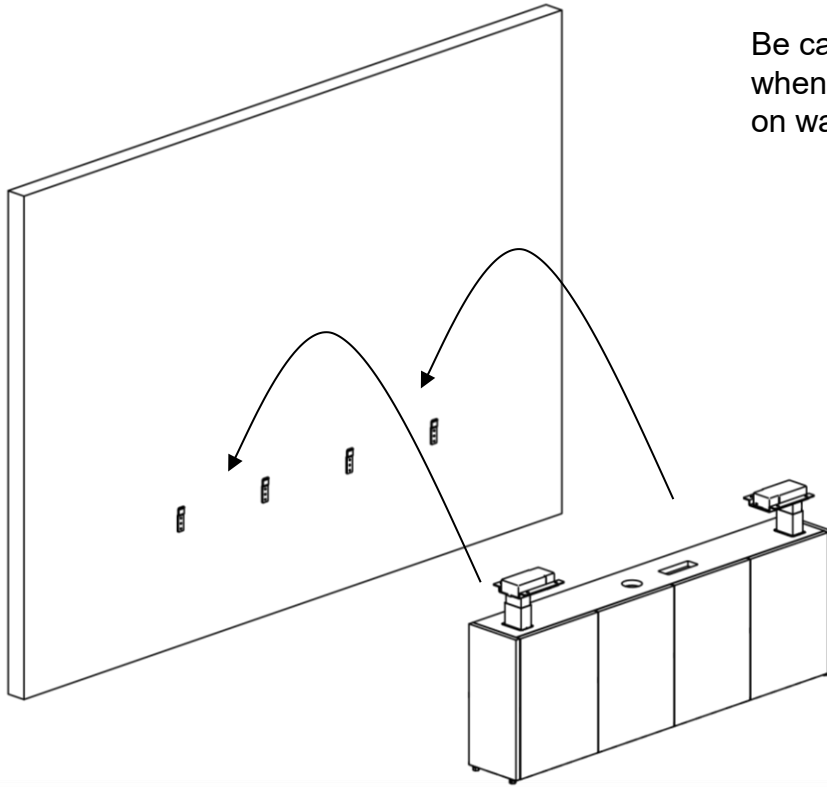


Wall Mounted Cantilevered HAT Installation Instructions

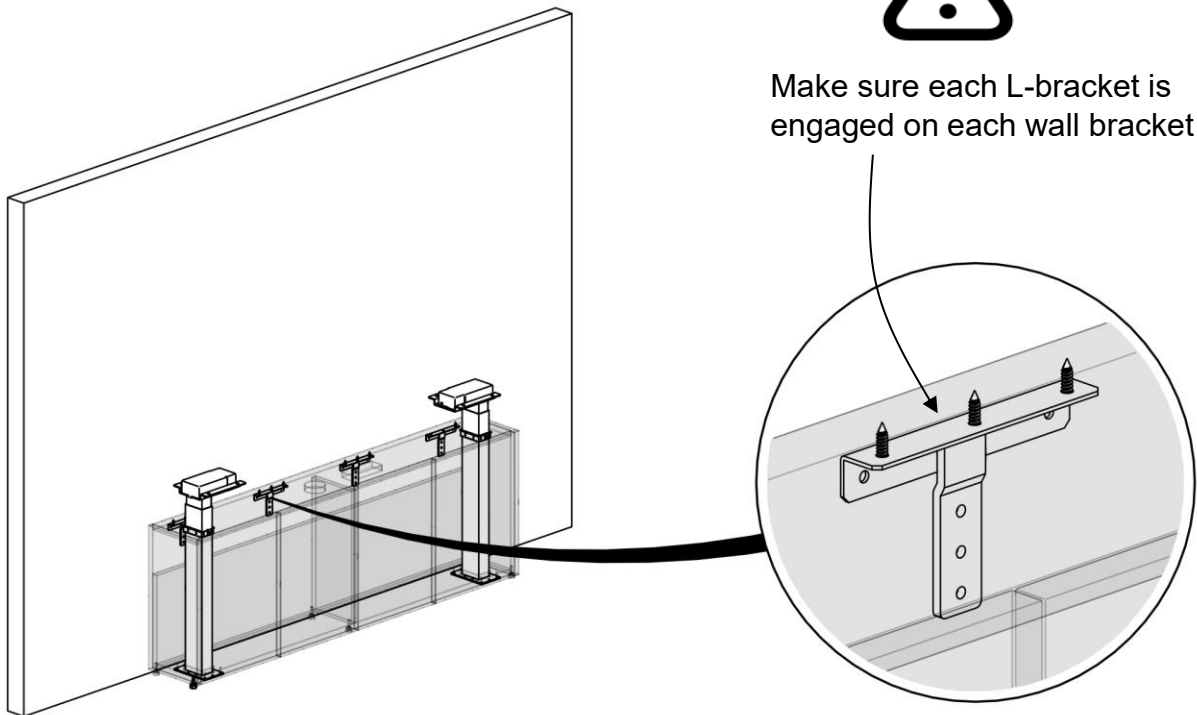
Step 7: Hang unit on wall brackets.



Be careful not to scratch wall when engaging base cabinet on wall brackets.

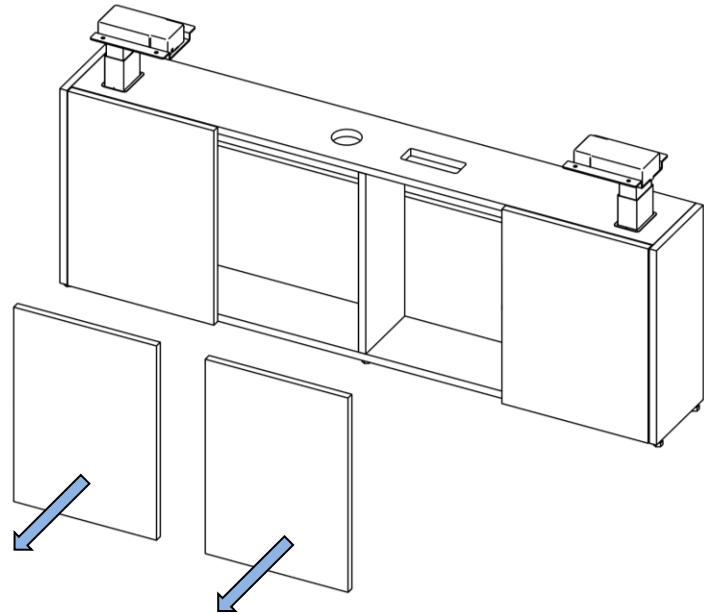


Make sure each L-bracket is engaged on each wall bracket



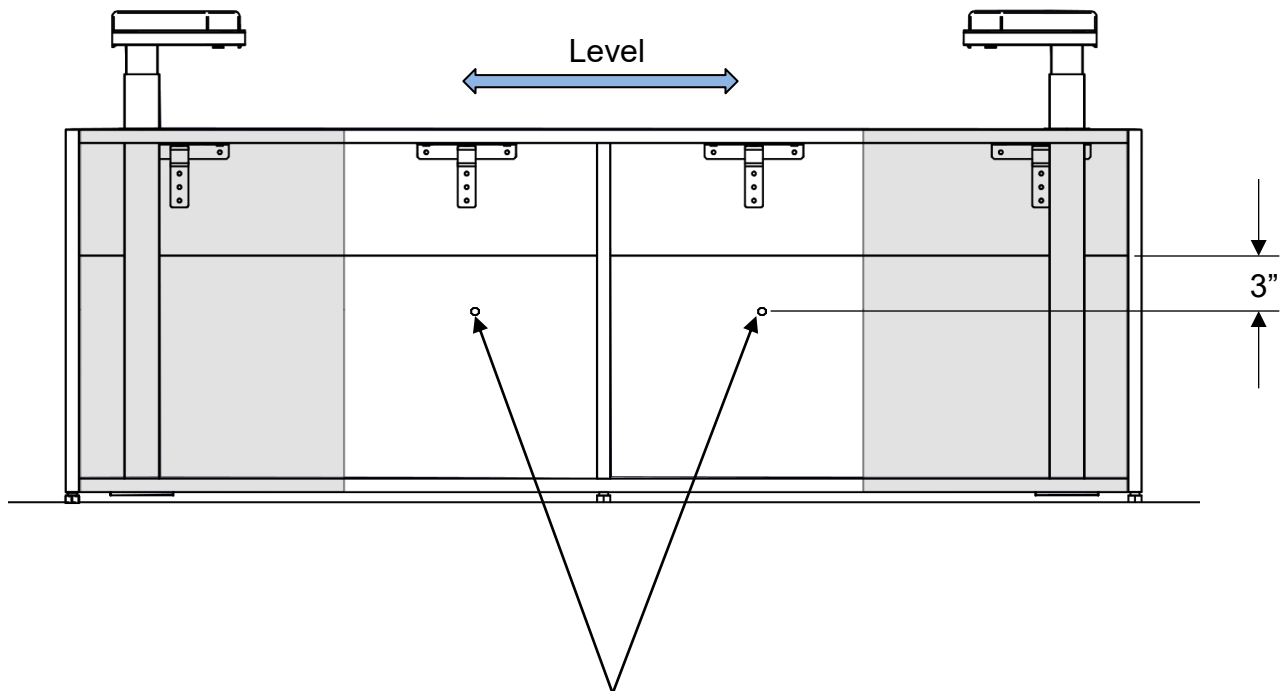
Wall Mounted Cantilevered HAT Installation Instructions

Step 8: Remove doors to access inside unit.



Remove doors

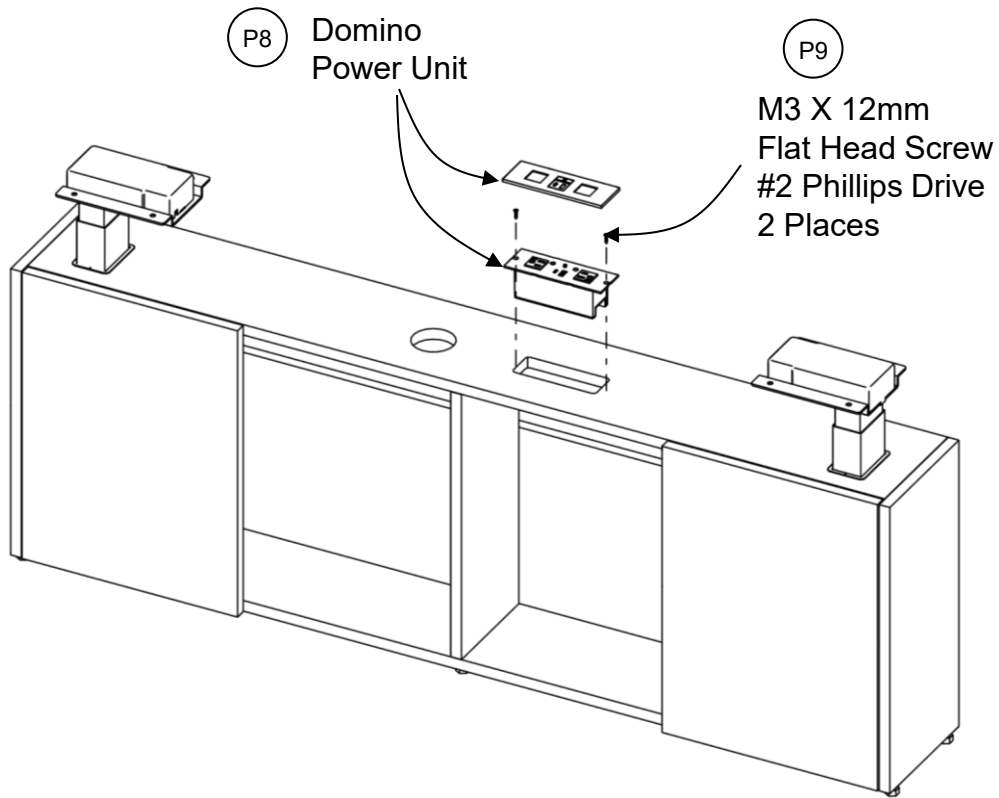
Step 9: Make sure unit is level. Then, secure to studs in wall. Hardware not included.



Where accessible, screw thru base cabinet into each wall stud.
(Mounting hardware not included)

Wall Mounted Cantilevered HAT Installation Instructions

Step 10 (optional): Install power unit using (2) M3 x 12mm screws (included in the power kit). For replacement screws use #6 x 5/8" screws.



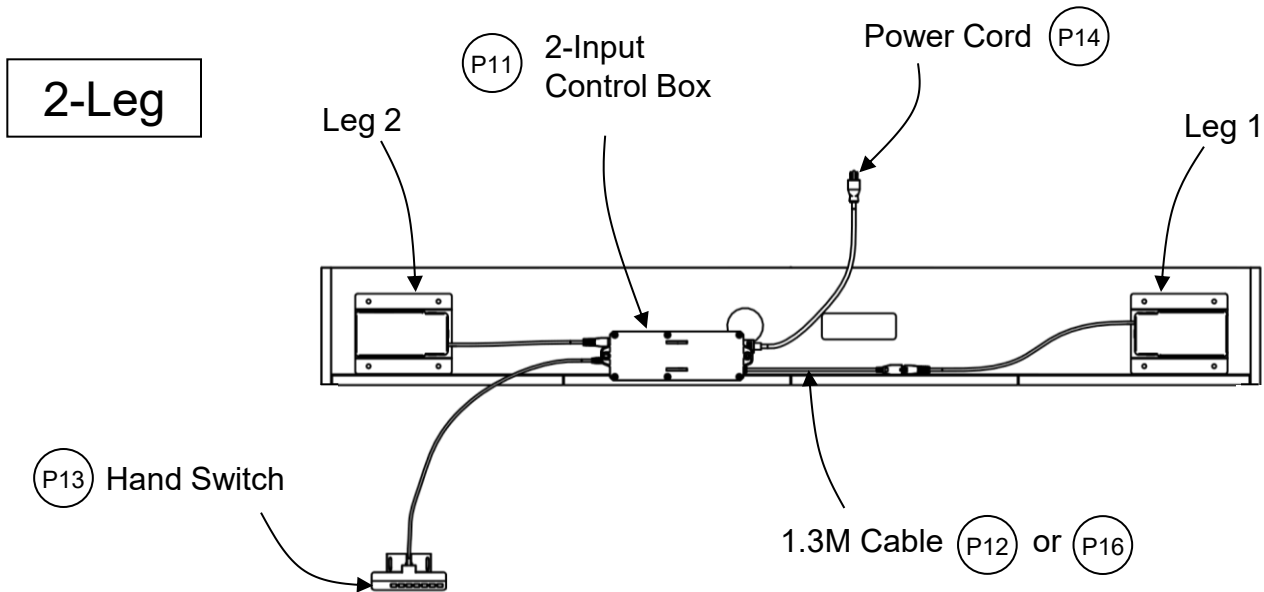
Wall Mounted Cantilevered HAT Installation Instructions

Step 11a (for 2 leg configurations):

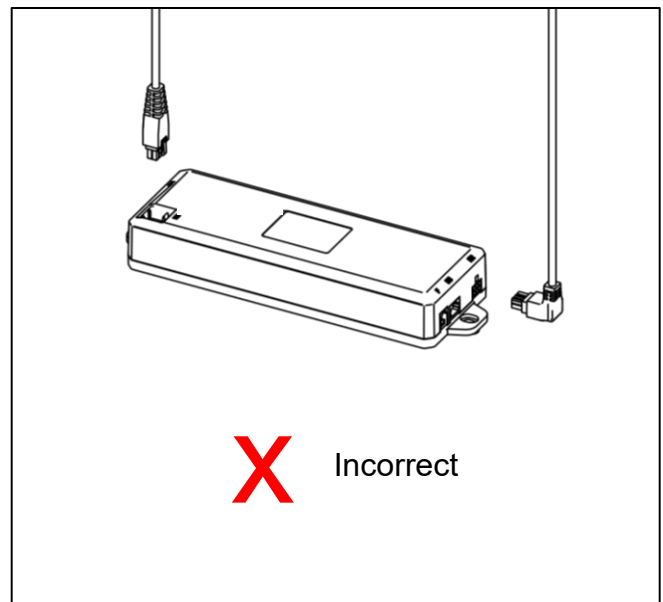
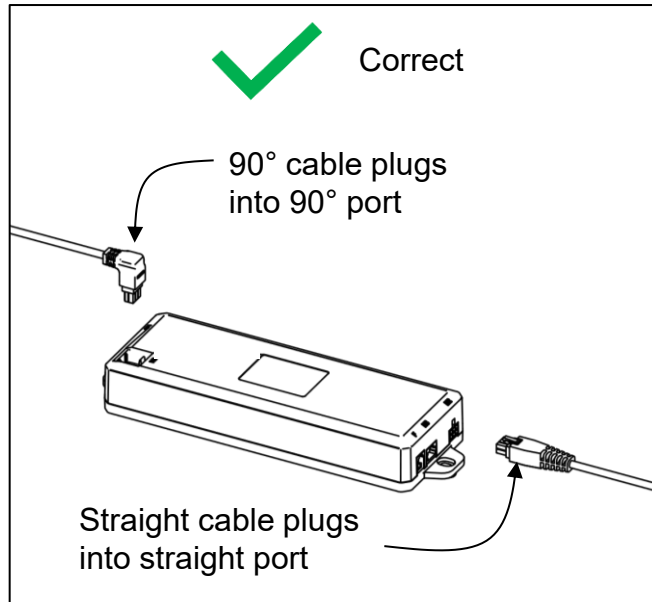
Temporarily connect all height adjustable electrical components as shown.

1. Connect Leg 1 to Control Box Port M1 using the 1.3M cable.
2. Connect Leg 2 to Control Box Port M2.
3. Connect the Hand Switch to Control Box Port HS.
4. Connect the Power Cord to the Control Box.

Note: Rest the control box on the base. The control box must be motionless to properly function.



Note: Control boxes feature ports on either the top face (90° connection shown below) or on the side (straight connection). You may be supplied both 90° and straight cables. Make sure to use the 90° cable in the 90° port only and use the straight cable in the straight port only, as shown below.



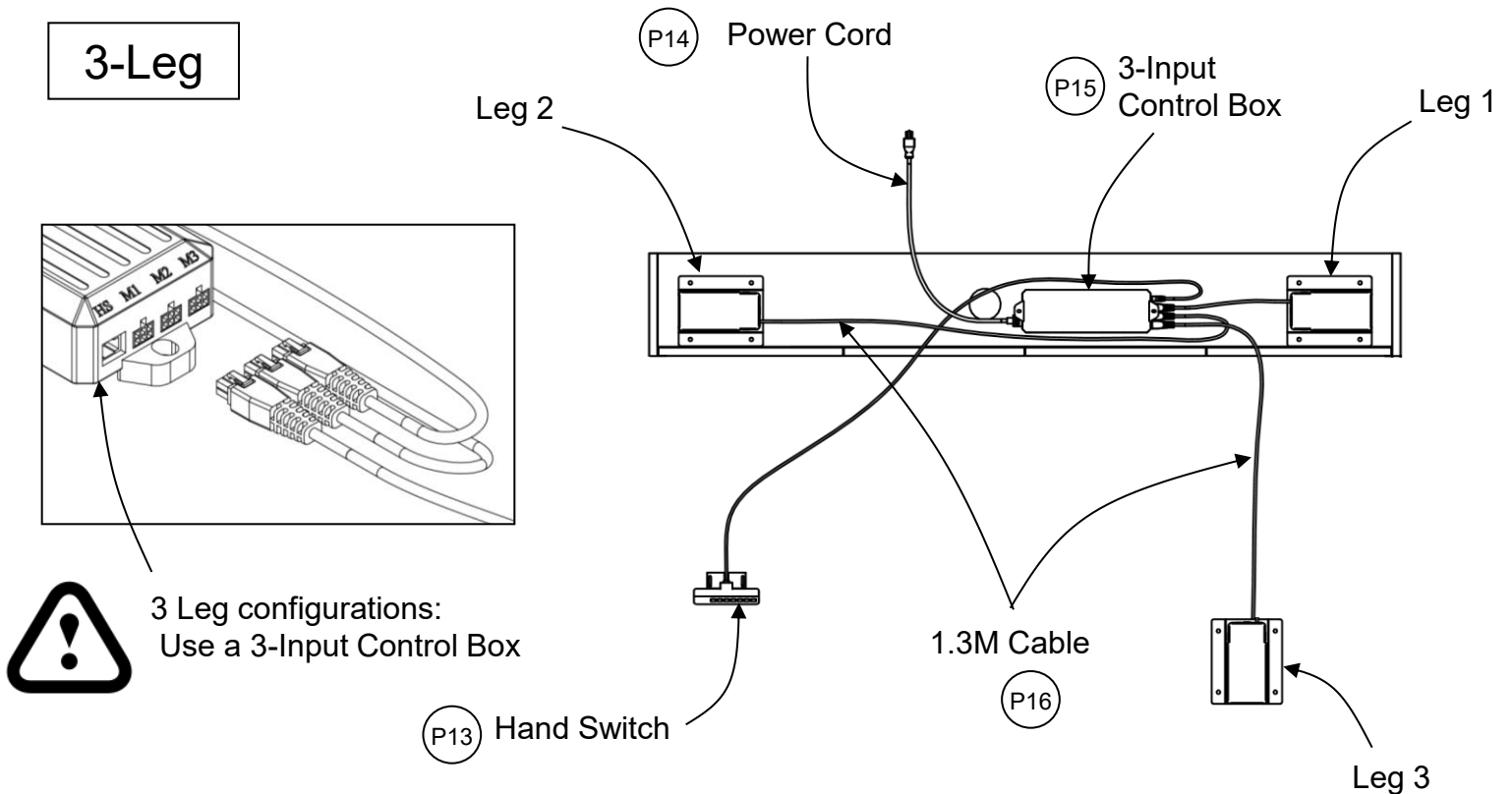
Wall Mounted Cantilevered HAT Installation Instructions

Step 11b (for 3-leg configurations):

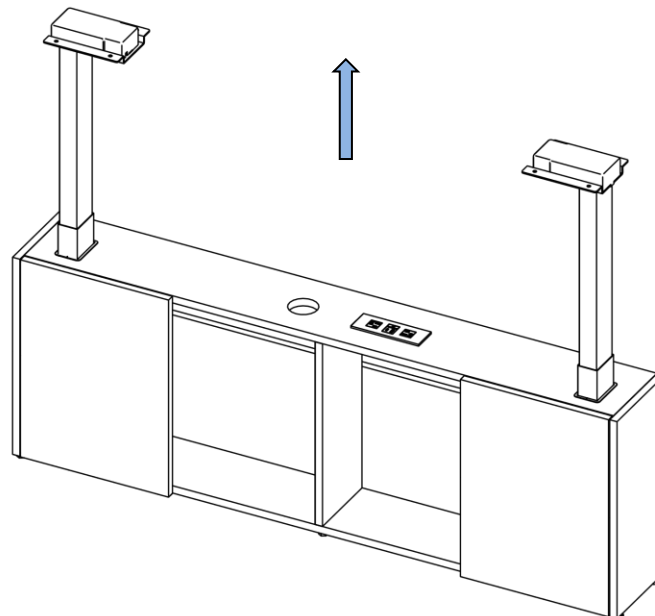
Temporarily connect all height adjustable electrical components as shown.

1. Connect Leg 1 to Control Box Port M1.
2. Connect Leg 2 to Control Box Port M2 using a 1.3M cable.
3. Connect Leg 3 to Control Box Port M3 using a 1.3M cable.
4. Connect the Hand Switch to Control Box Port HS.
5. Connect the Power Cord to the Control Box.

Note: Rest the control box on the base. The control box must be motionless to properly function.

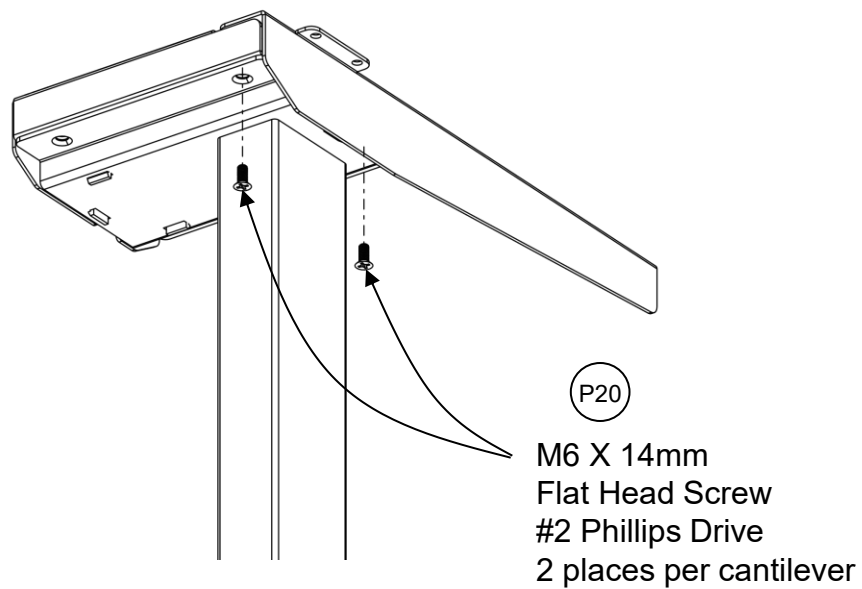
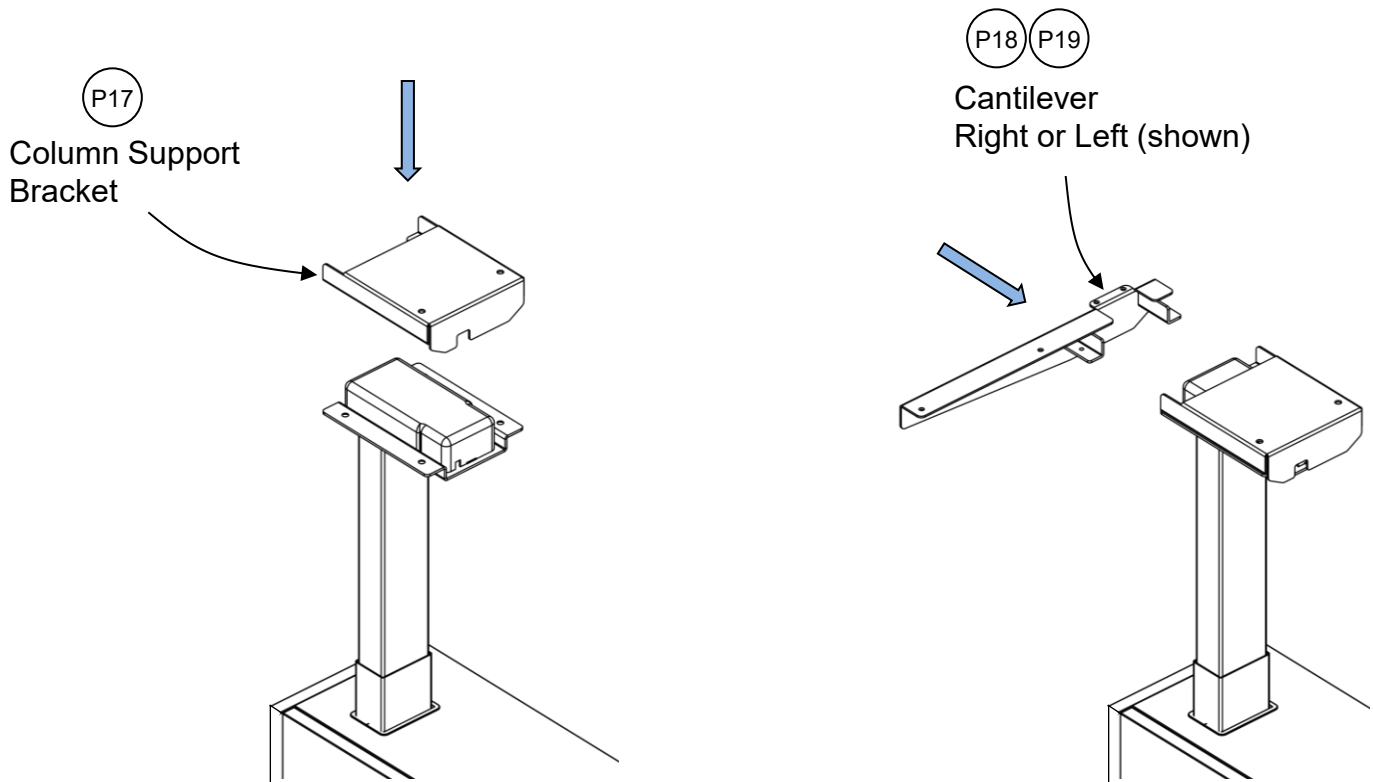


Step 12: Raise unit to the fully extended height. Temporarily disconnect all wires.



Wall Mounted Cantilevered HAT Installation Instructions

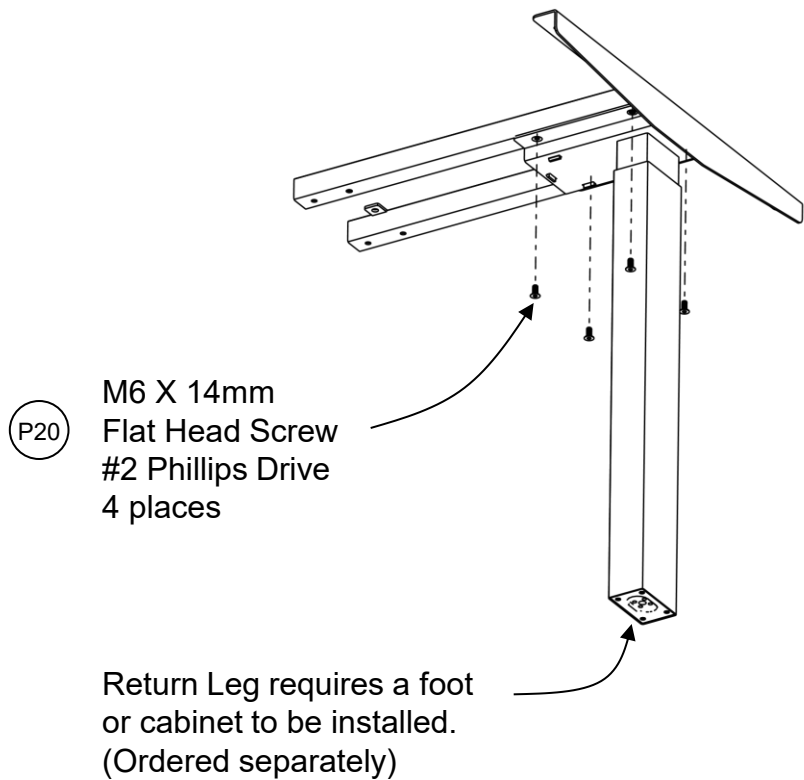
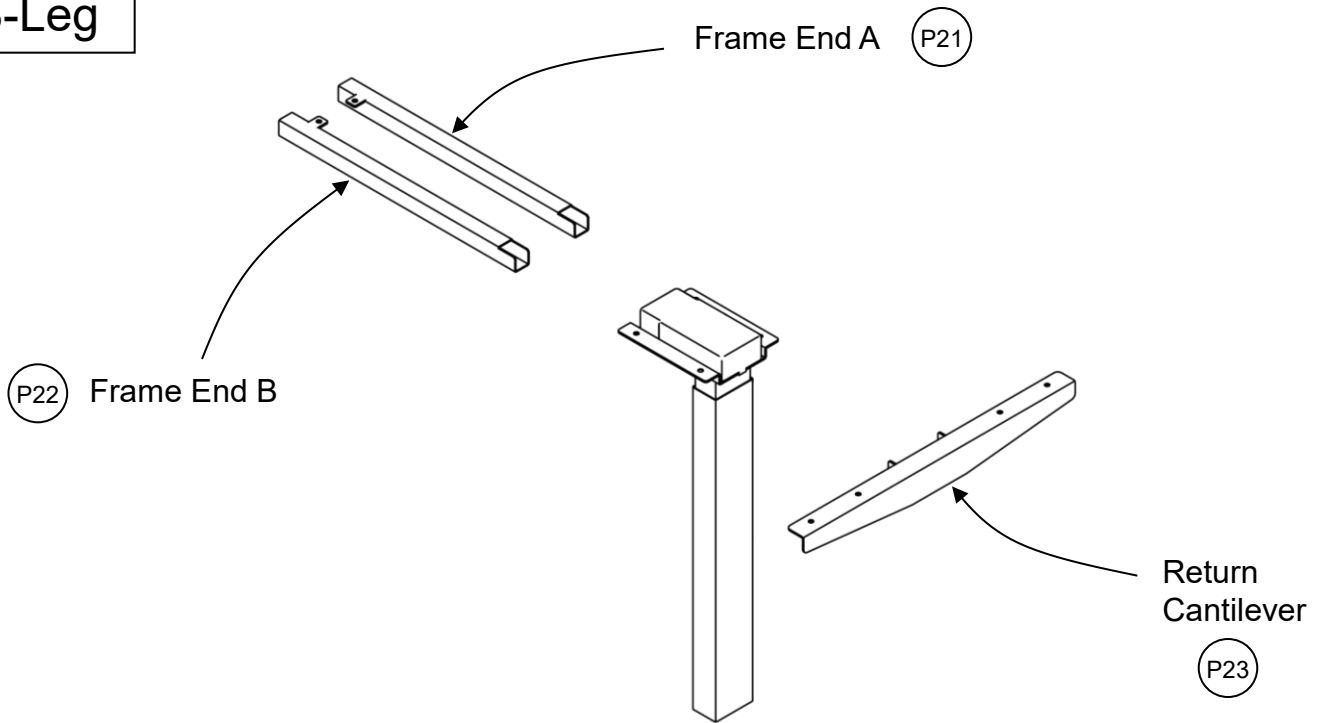
Step 13: Install the worksurface support components to the height adjustable columns.



Wall Mounted Cantilevered HAT Installation Instructions

Step 14 (for 3 leg configurations): Install the worksurface support components to the height adjustable columns for the return leg.

3-Leg

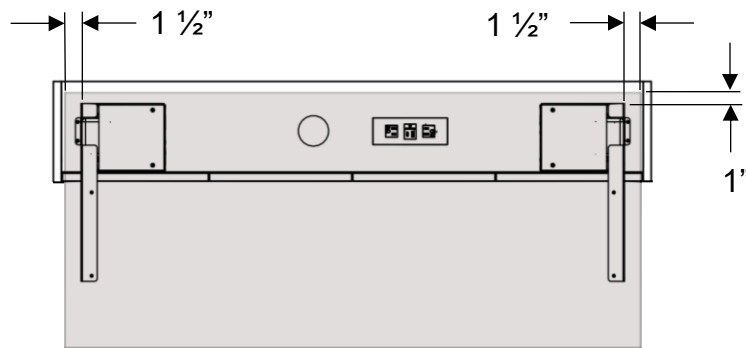


Wall Mounted Cantilevered HAT Installation Instructions

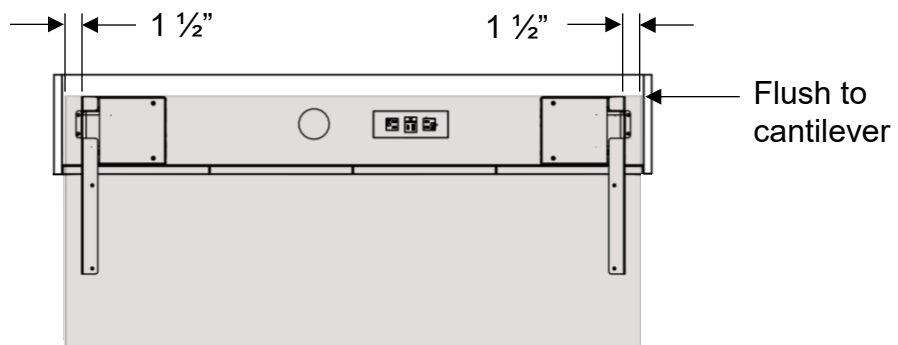
Step 15a: Position the worksurface on the height adjustable columns.

2-Leg

Worksurface Installation Option 1:
For standard installation,
worksurface to be 1" from cantilever.



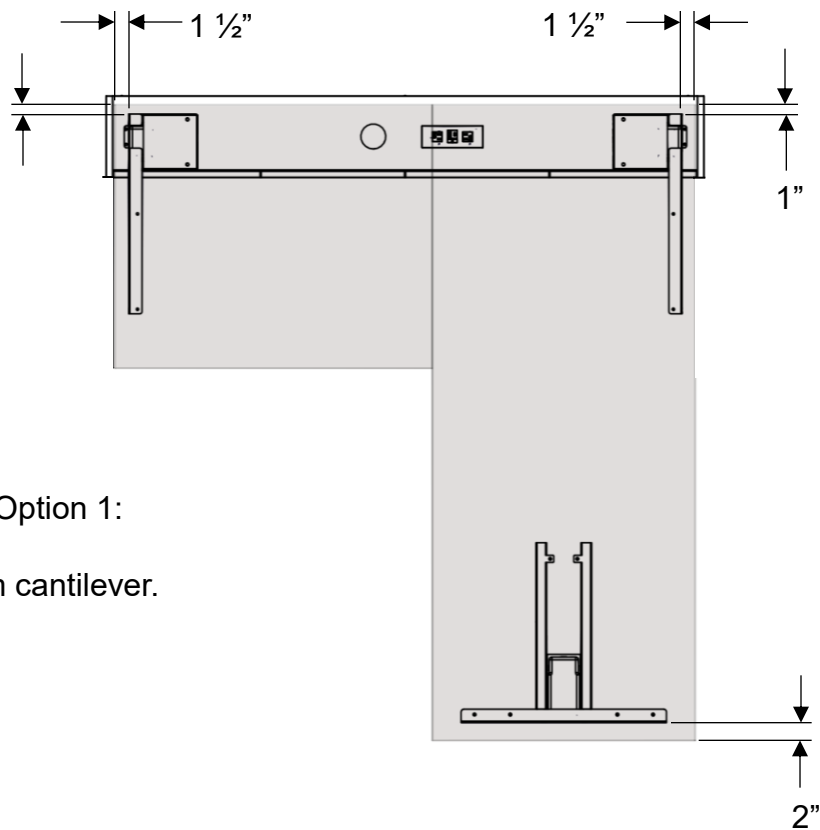
Worksurface Installation Option 2:
If installing adjacent to wall mounted tackboard,
worksurface installation to be flush to cantilever



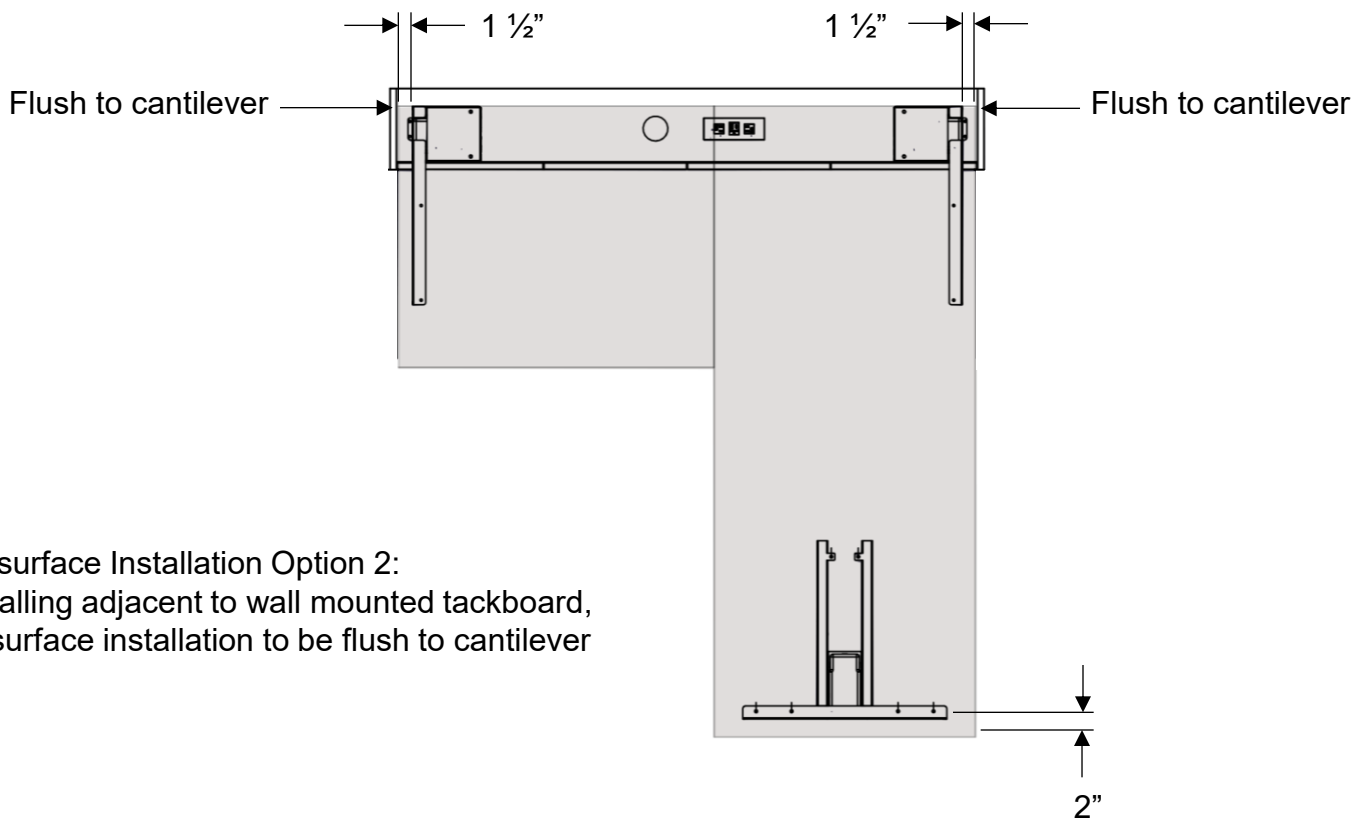
Wall Mounted Cantilevered HAT Installation Instructions

Step 15b: Install the worksurface support components to the height adjustable columns.

3-Leg



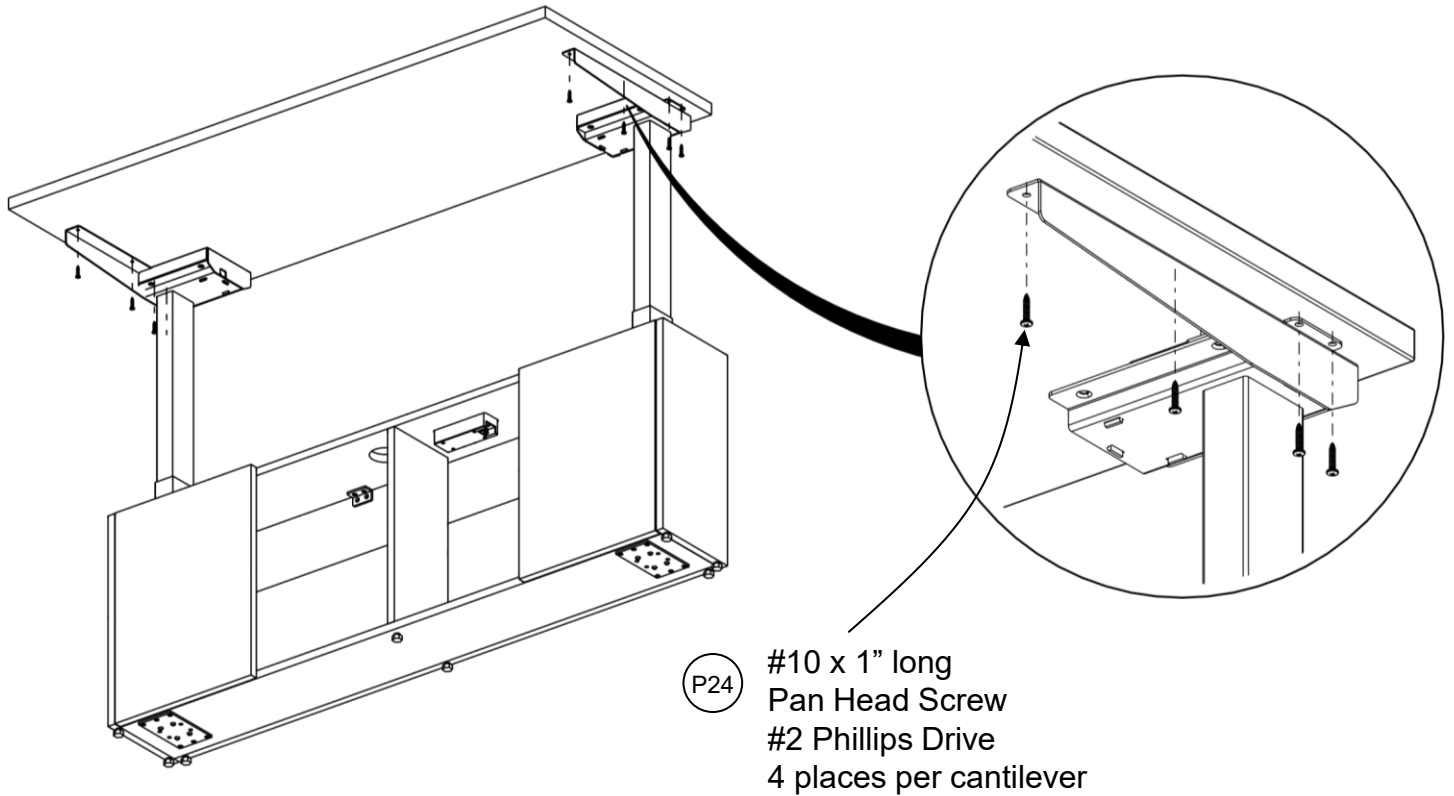
Worksurface Installation Option 1:
For standard installation,
worksurface to be 1" from cantilever.



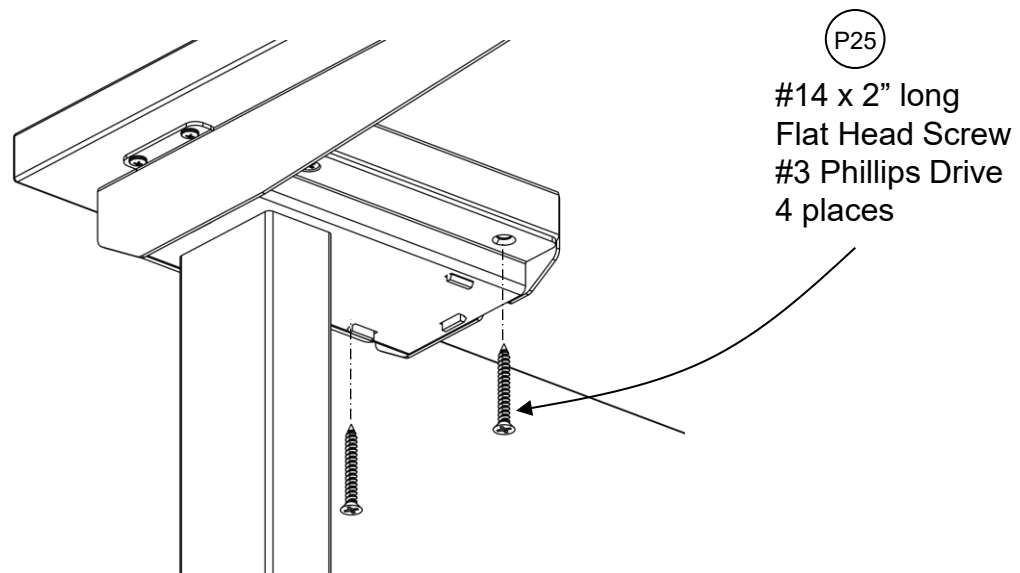
Worksurface Installation Option 2:
If installing adjacent to wall mounted tackboard,
worksurface installation to be flush to cantilever

Wall Mounted Cantilevered HAT Installation Instructions

Step 16: Secure worksurface to cantilever.



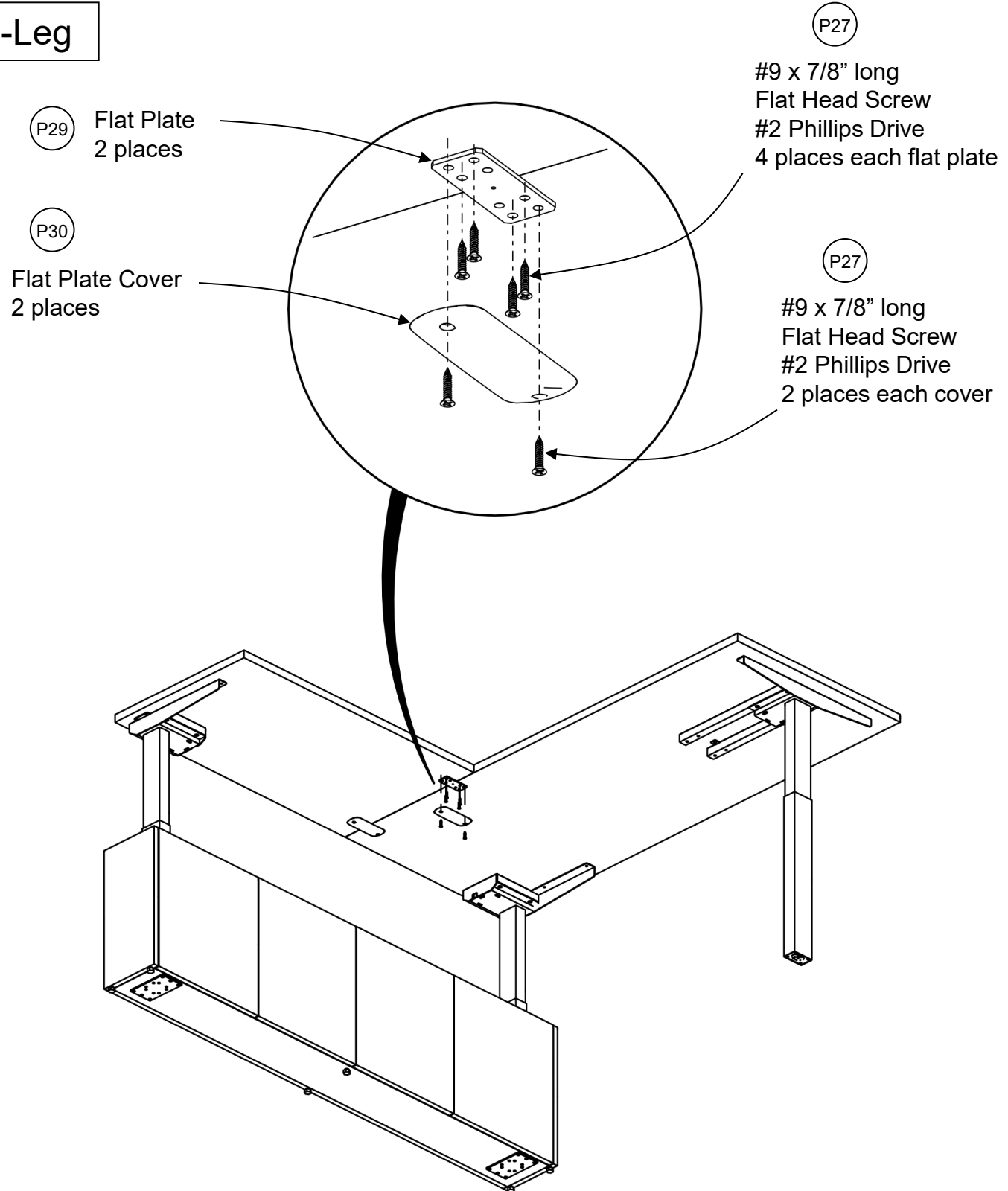
Step 17: Secure the height adjustable column to the worksurface.



Wall Mounted Cantilevered HAT Installation Instructions

Step 18 (3 leg configuration only): Install flat plates.

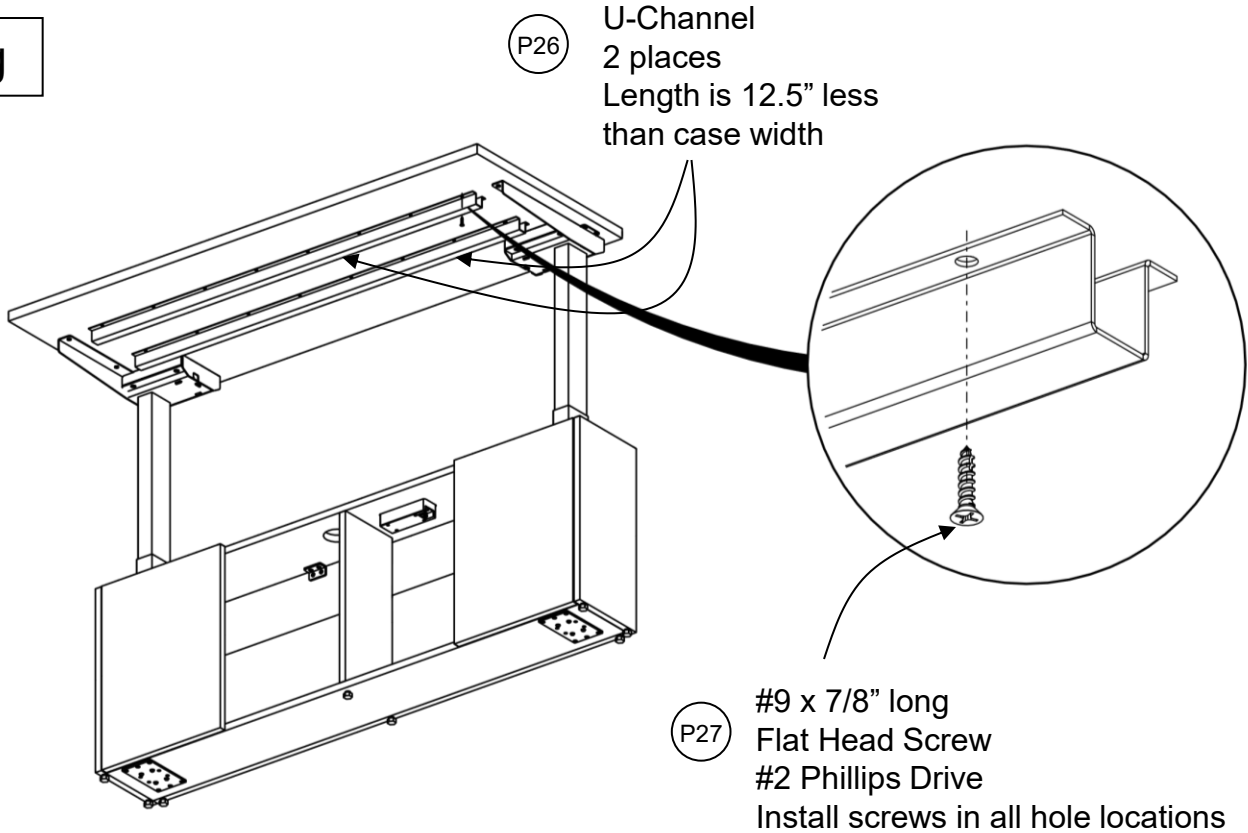
3-Leg



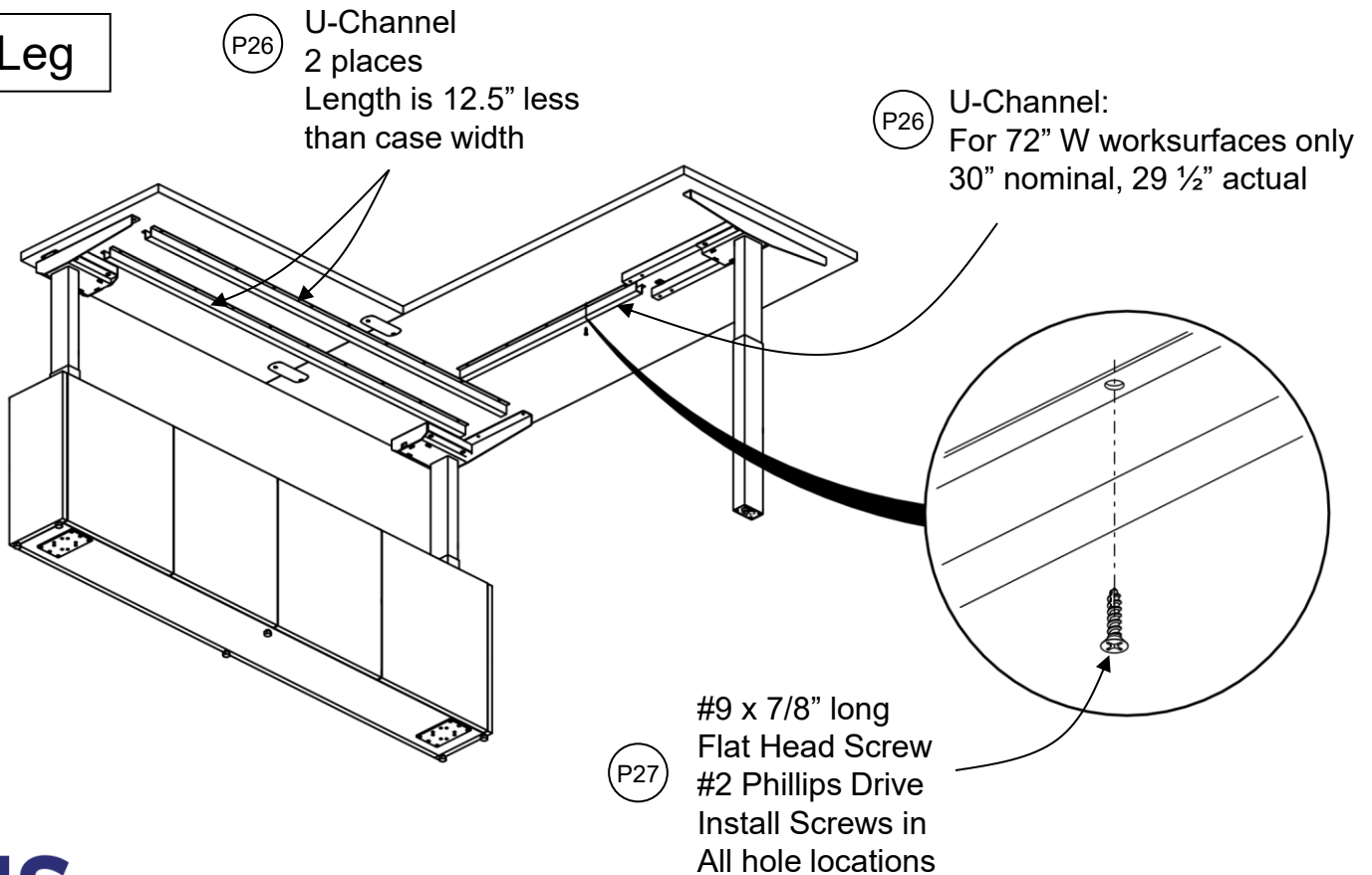
Wall Mounted Cantilevered HAT Installation Instructions

Step 19: Install U-Channels to worksurface using #9 x 7/8" worksurface screws.

2-Leg



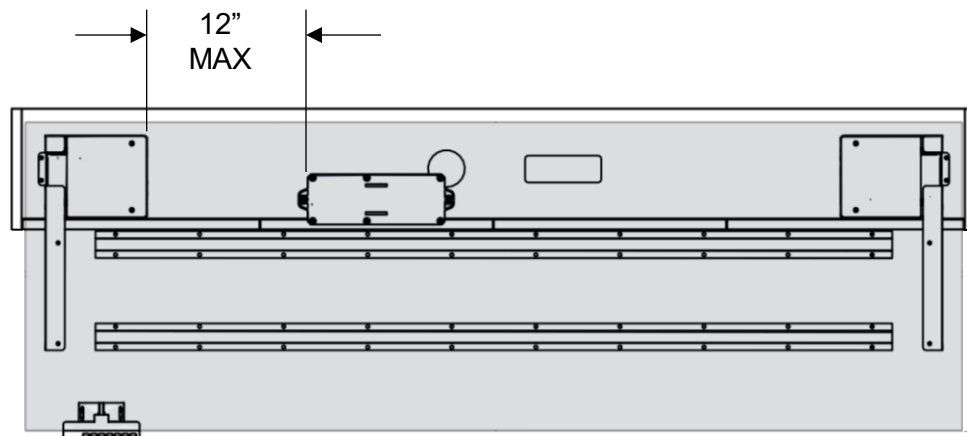
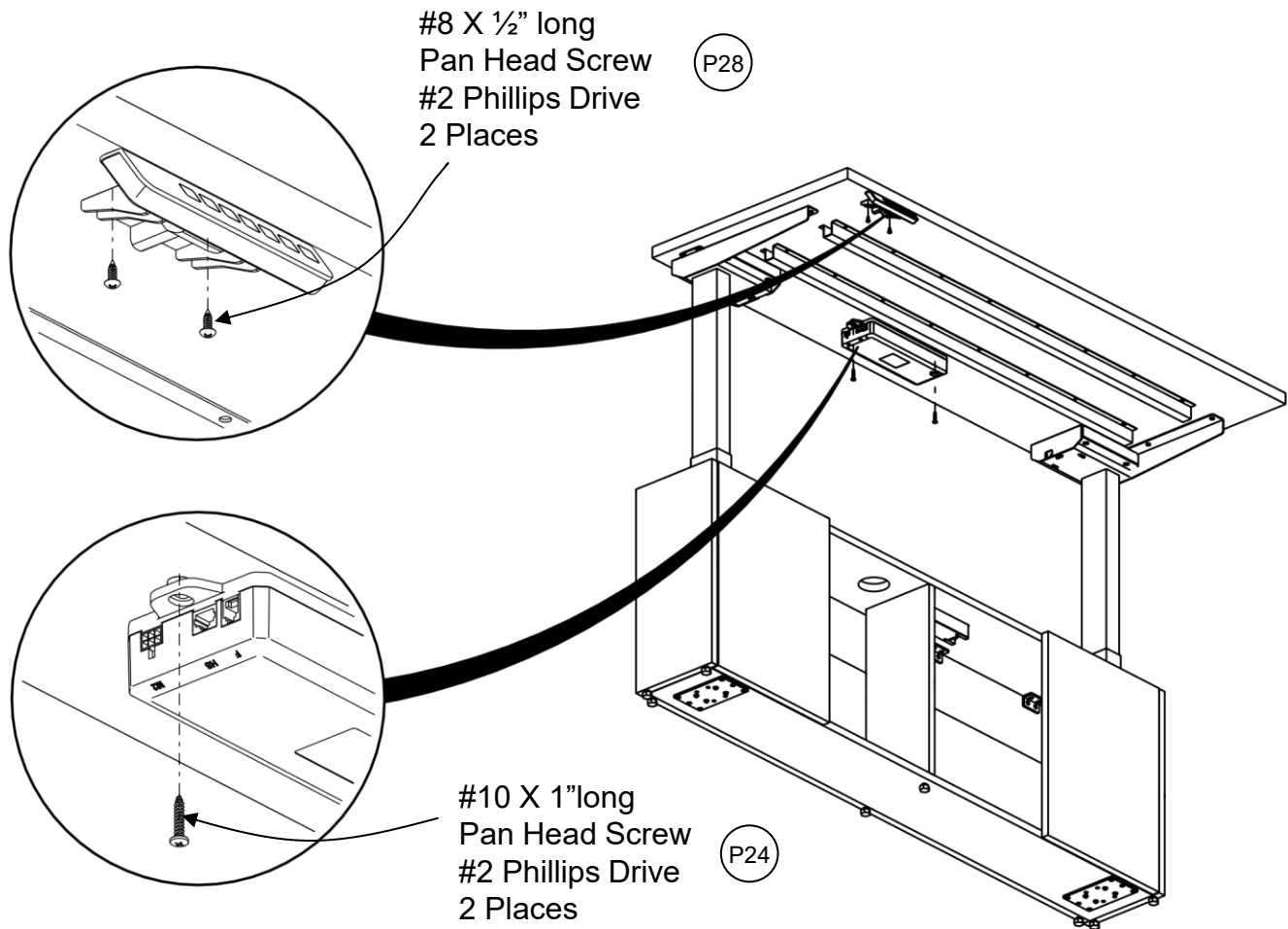
3-Leg



Wall Mounted Cantilevered HAT Installation Instructions

Step 20: Install the control box to the worksurface using (2) #10 x 1" pan head screws.

Step 21: Install the hand switch to the worksurface using (2) #8 x 1/2" pan head screws.



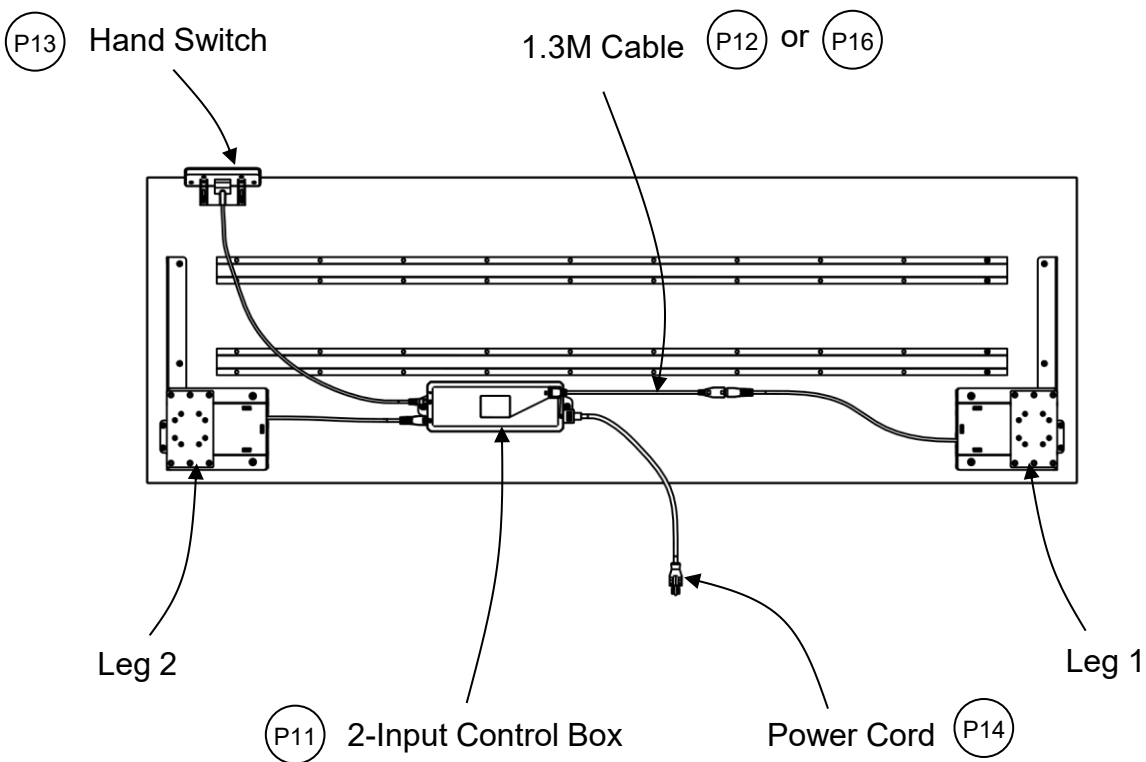
Wall Mounted Cantilevered HAT Installation Instructions

Step 22a (2 leg configurations):

Re-connect all height adjustable electrical components as shown.

1. Connect Leg 1 to Control Box Port M1 using the 1.3M cable.
2. Connect Leg 2 to Control Box Port M2 cable.
3. Connect the Hand Switch to Control Box Port HS.
4. Connect the Power Cord to the Control Box.

2-Leg



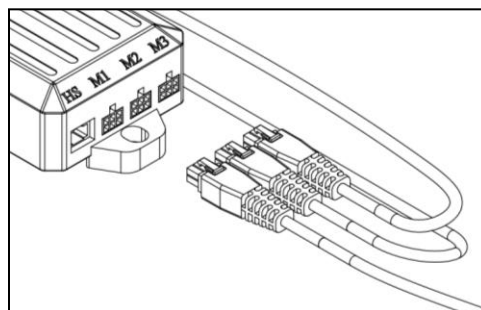
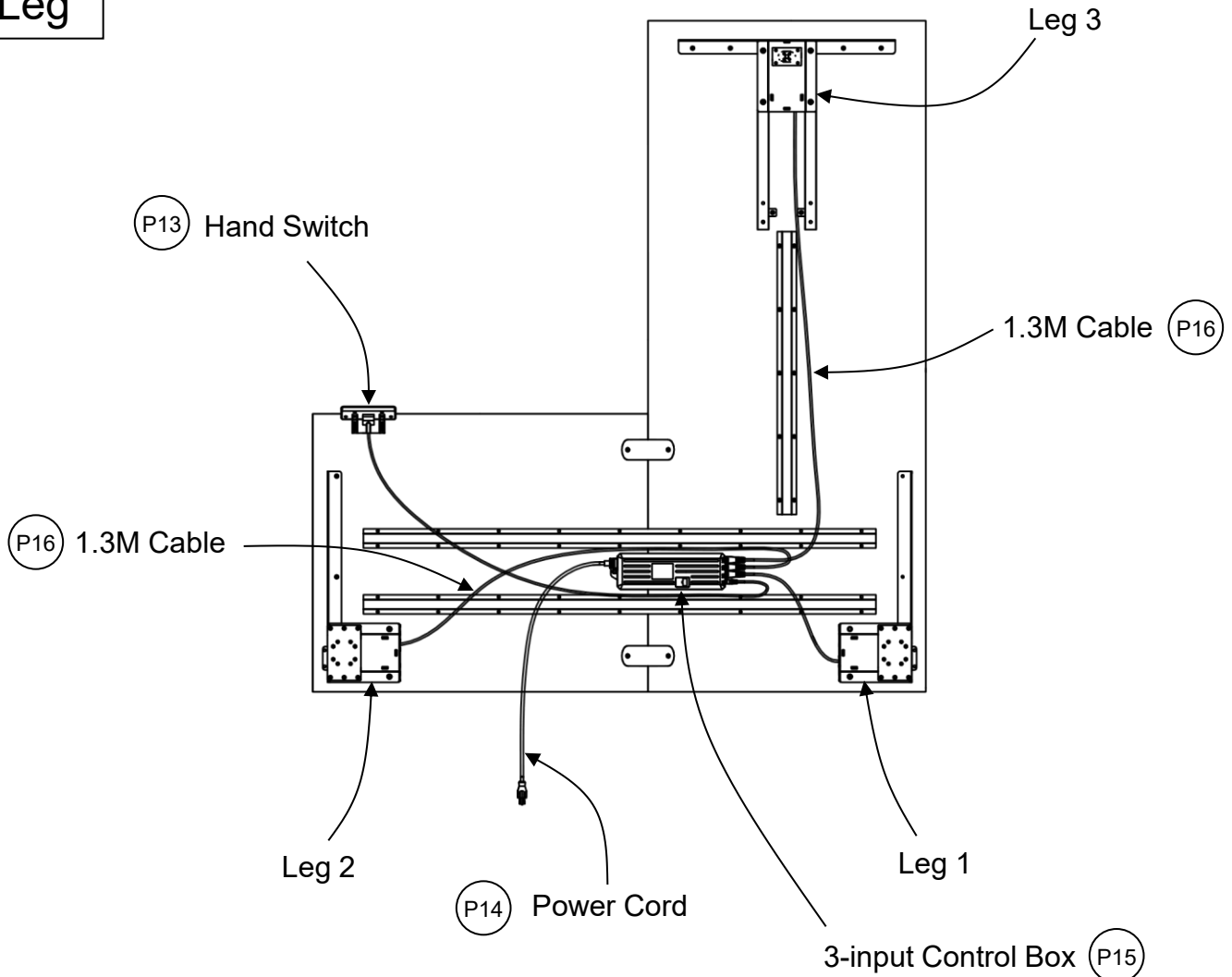
Wall Mounted Cantilevered HAT Installation Instructions

Step 22b (3 leg configurations):

Re-connect all height adjustable electrical components as shown.

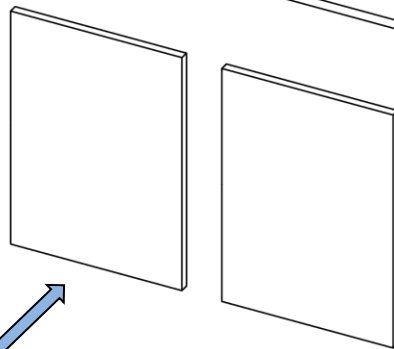
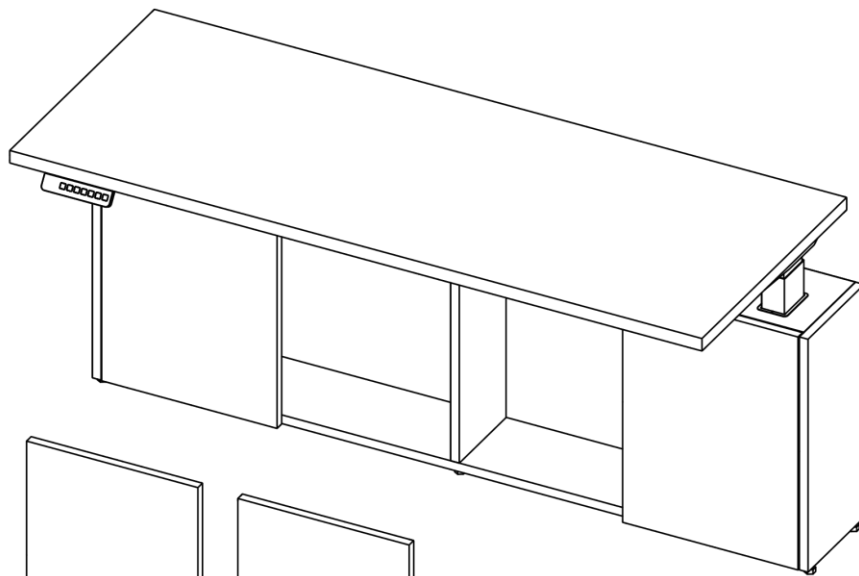
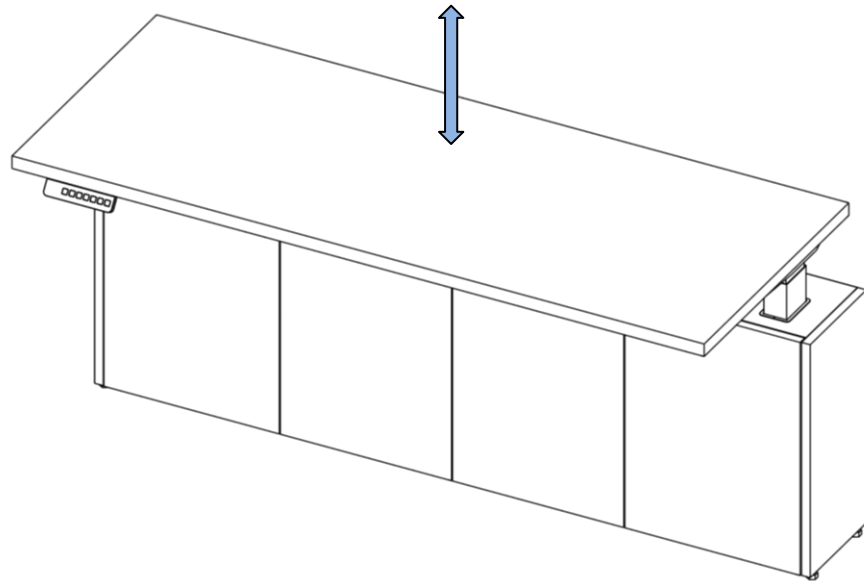
1. Connect Leg 1 to Control Box Port M1.
2. Connect Leg 2 to Control Box Port M2 using a 1.3M cable.
3. Connect Leg 3 to Control Box Port M3 using a 1.3M cable.
4. Connect the Hand Switch to Control Box Port HS.
5. Connect the Power Cord to the Control Box.

3-Leg



Wall Mounted Cantilevered HAT Installation Instructions

Step 23: Test height adjustable units for proper functionality and re-install doors.



Re-install doors