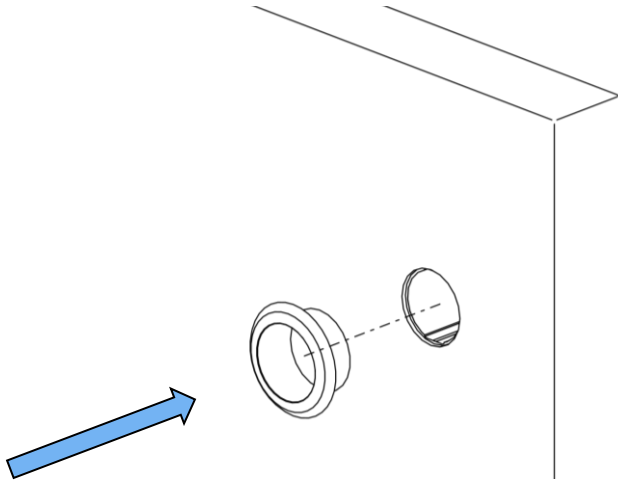


# Lock Core Installation

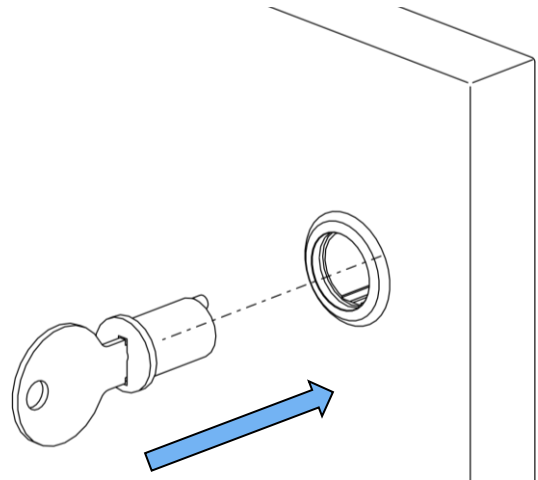
## Step 1:

Install the trim ring into the lock opening



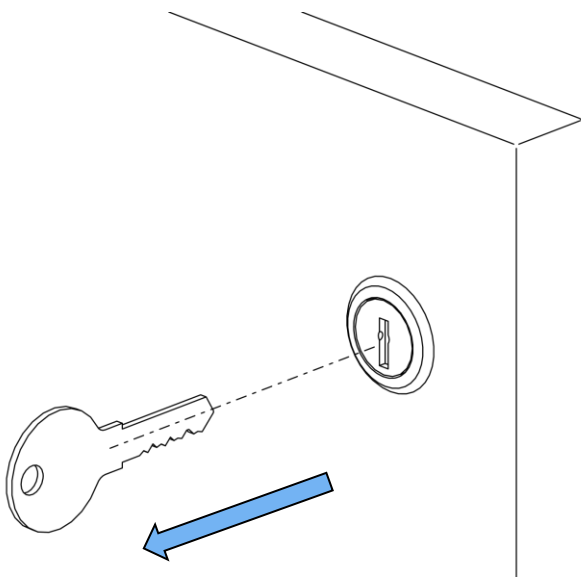
## Step 2:

Insert the lock core key into the core and insert into the lock.



## Step 3:

Hold the lock core in place while removing the key from the lock.

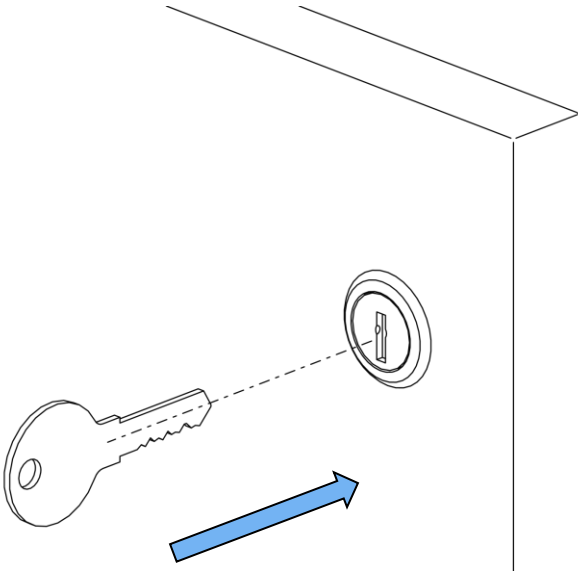


## Note:

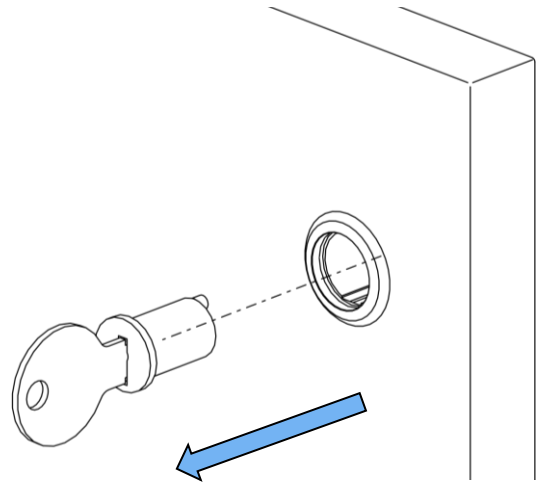
Lock may require rotation to remove the key

# Lock Core Removal

**Step 1:**  
Insert the lock core removal key.



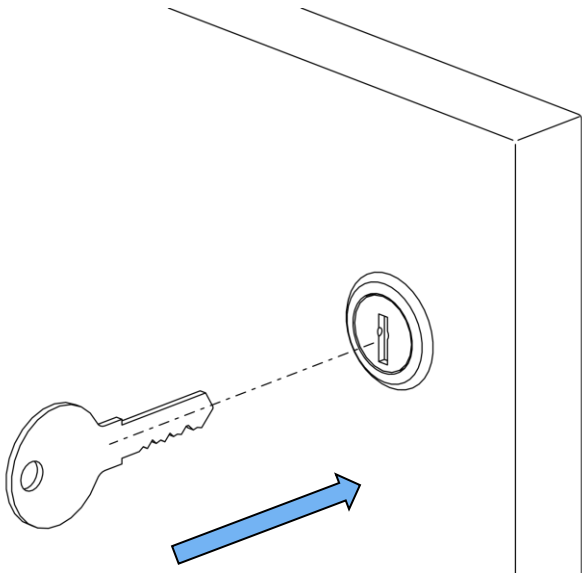
**Step 2:**  
Pull the key out to remove the core.



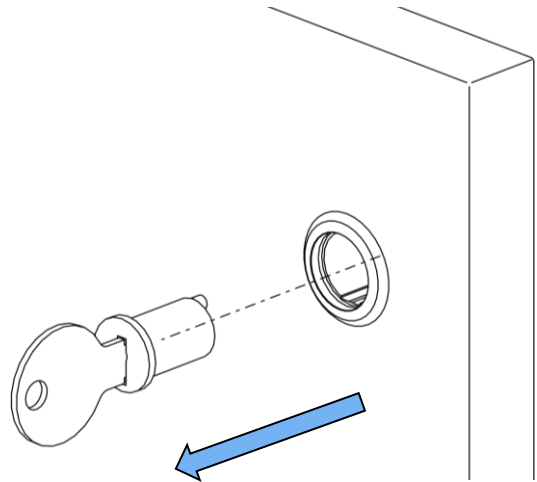
**Note:**  
Lock may require rotation to remove the key.

# Replacing Trim Rings

**Step 1:**  
Insert the lock core removal key.

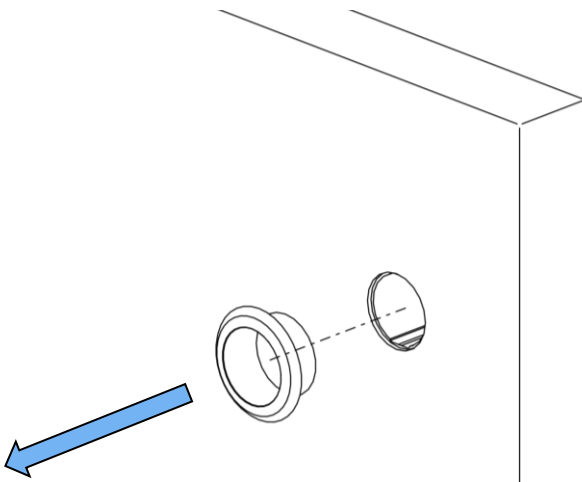


**Step 2:**  
Pull the key out to remove the core.

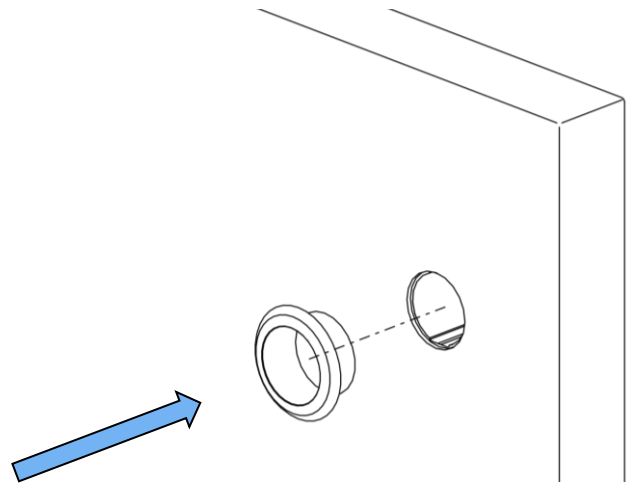


**Note:**  
Lock may require rotation to remove the key.

**Step 3:**  
Remove the existing trim ring.



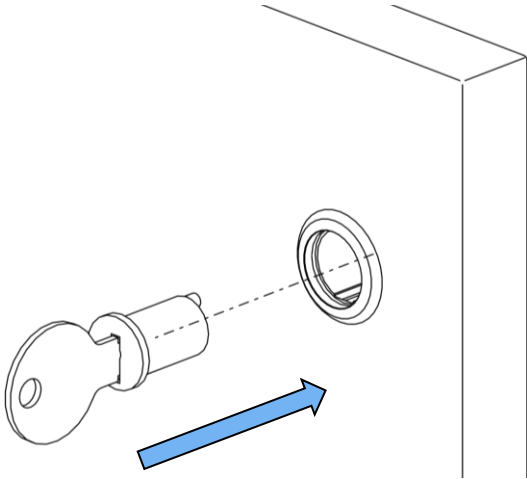
**Step 4:**  
Install the new trim ring.



# Replacing Trim Rings

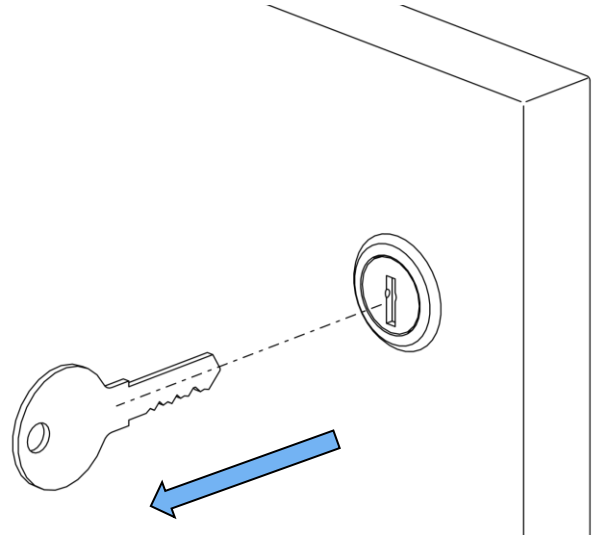
## Step 5:

Insert the lock core key into the core and insert into the lock.



## Step 6:

Hold the lock core in place while removing the key from the lock.



## Note:

Lock may require rotation to remove the key