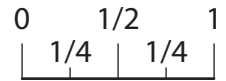
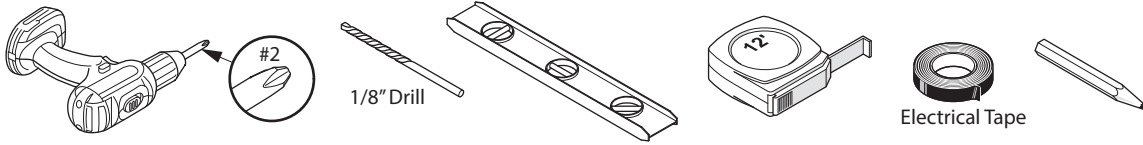


# Cuff & Mesh Sleeve Installation Instructions

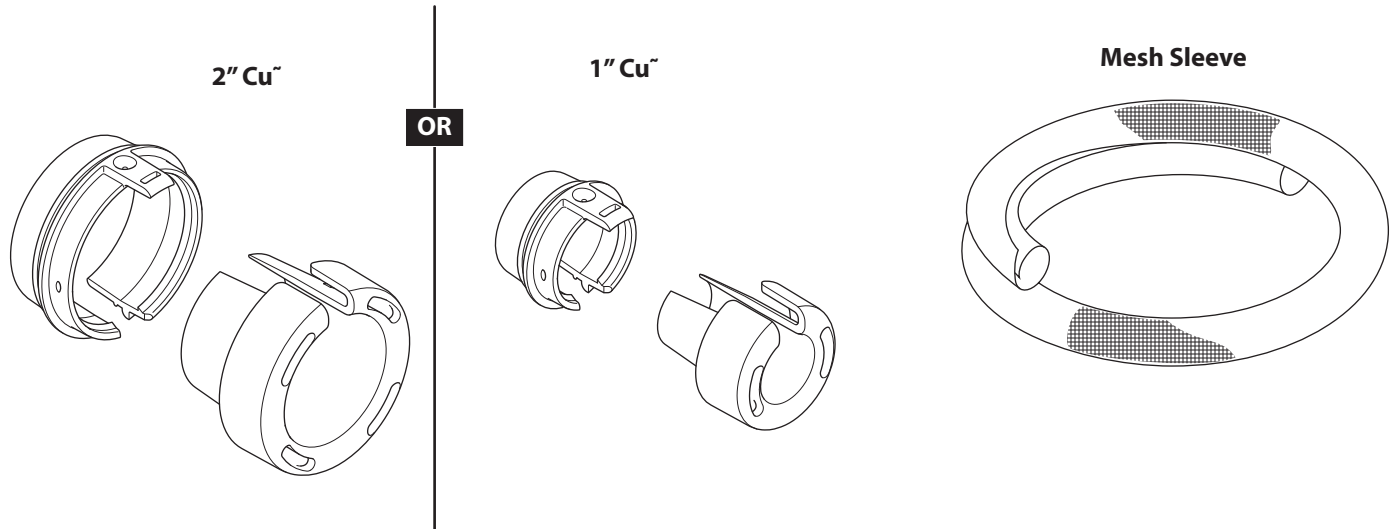


Scale 1 : 1

## Tools Required

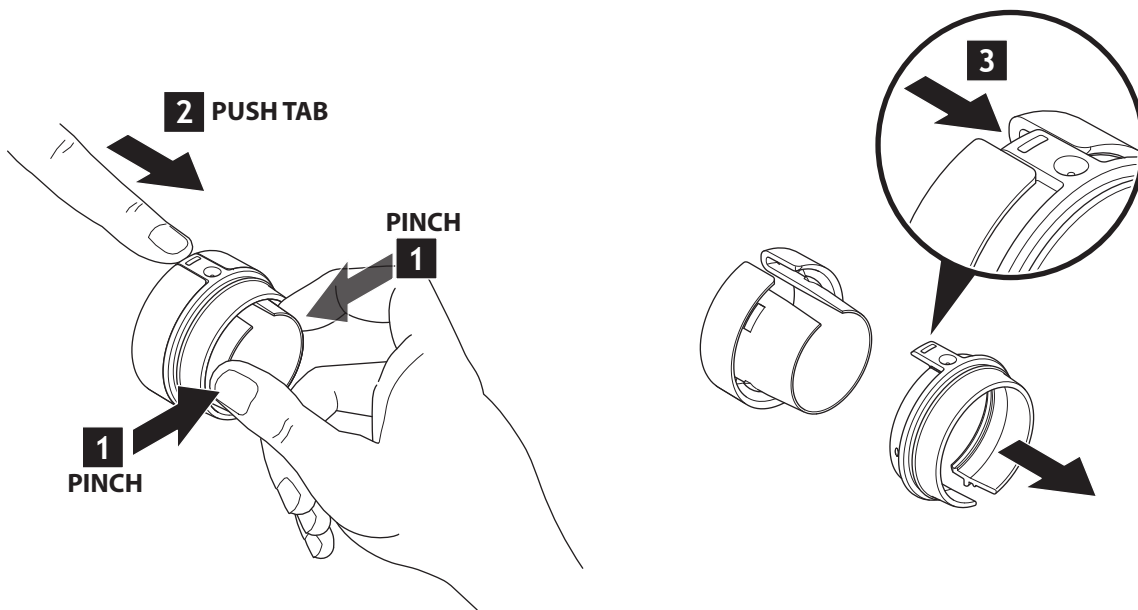


## PARTS

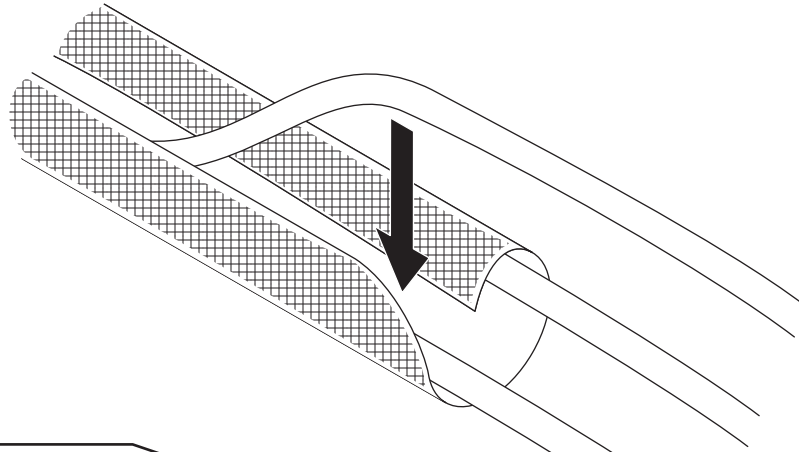


## SEPARATE PARTS IF REQUIRED

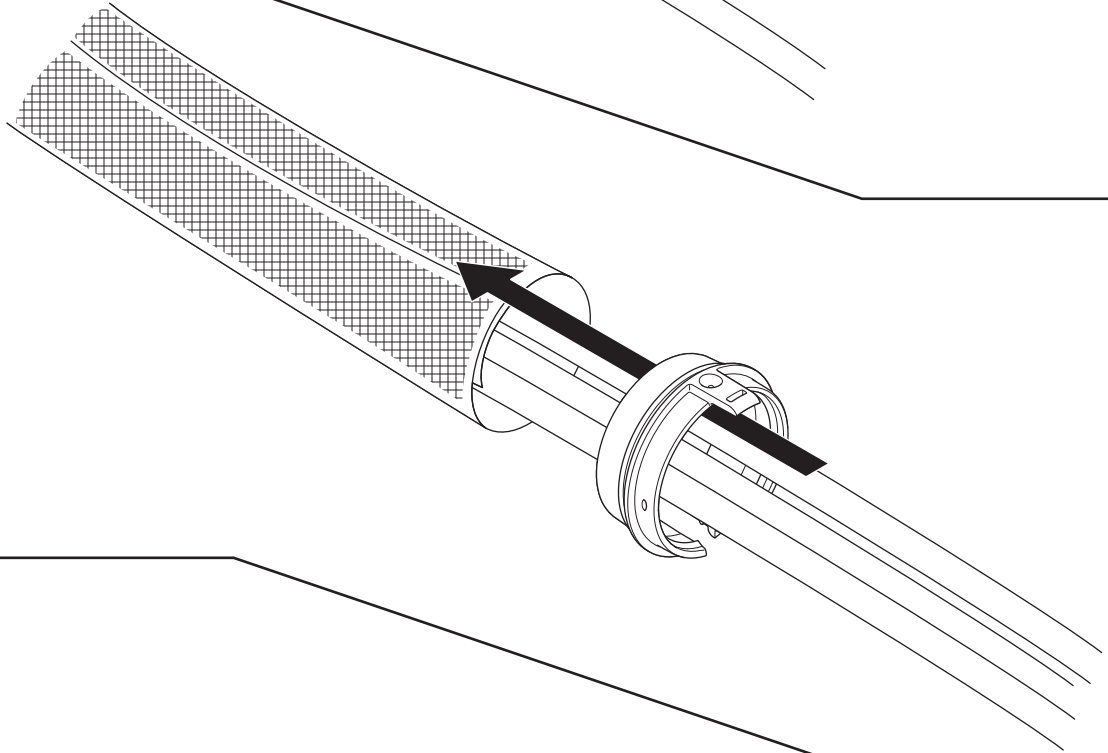
1



2



3



4

